

Vent R 2/4/6

Wiring Diagrams



No. 971770 • rev. 2.3 • 17.09.2008



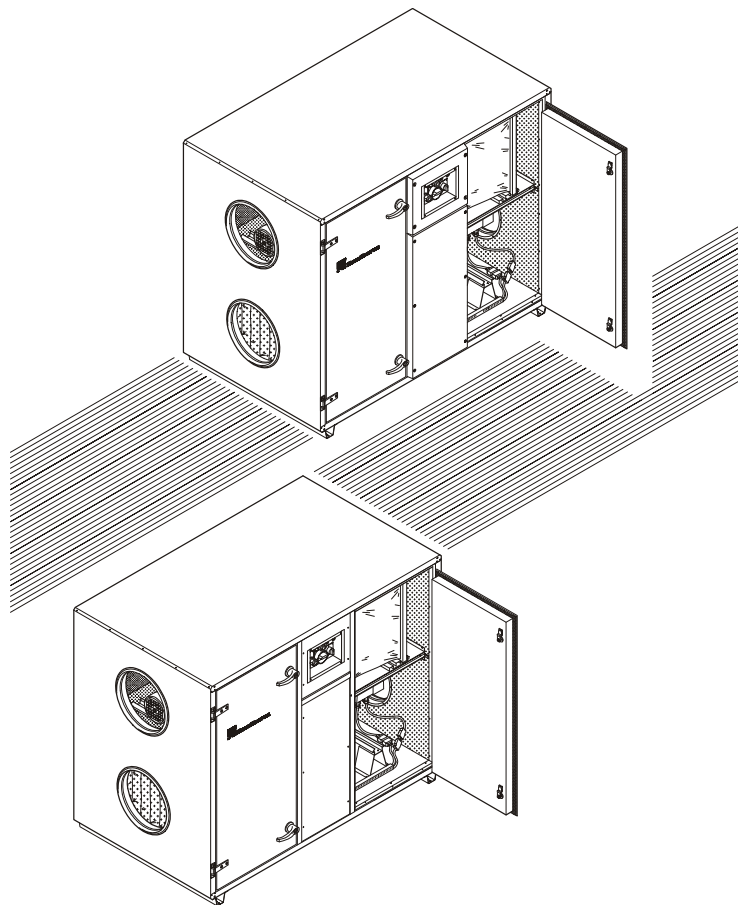
Focus. Trust. Initiative.

Vent R 2/4/6

Wiring Diagrams

EN DA DE

No. 971770 • rev. 2.3 • 17.09.2008



Der tages forbehold for trykfejl og ændringer
Dantherm can accept no responsibility for possible errors and changes
Irrtümer und Änderungen vorbehalten
Dantherm n'assume aucune responsabilité pour erreurs et modifications éventuelles

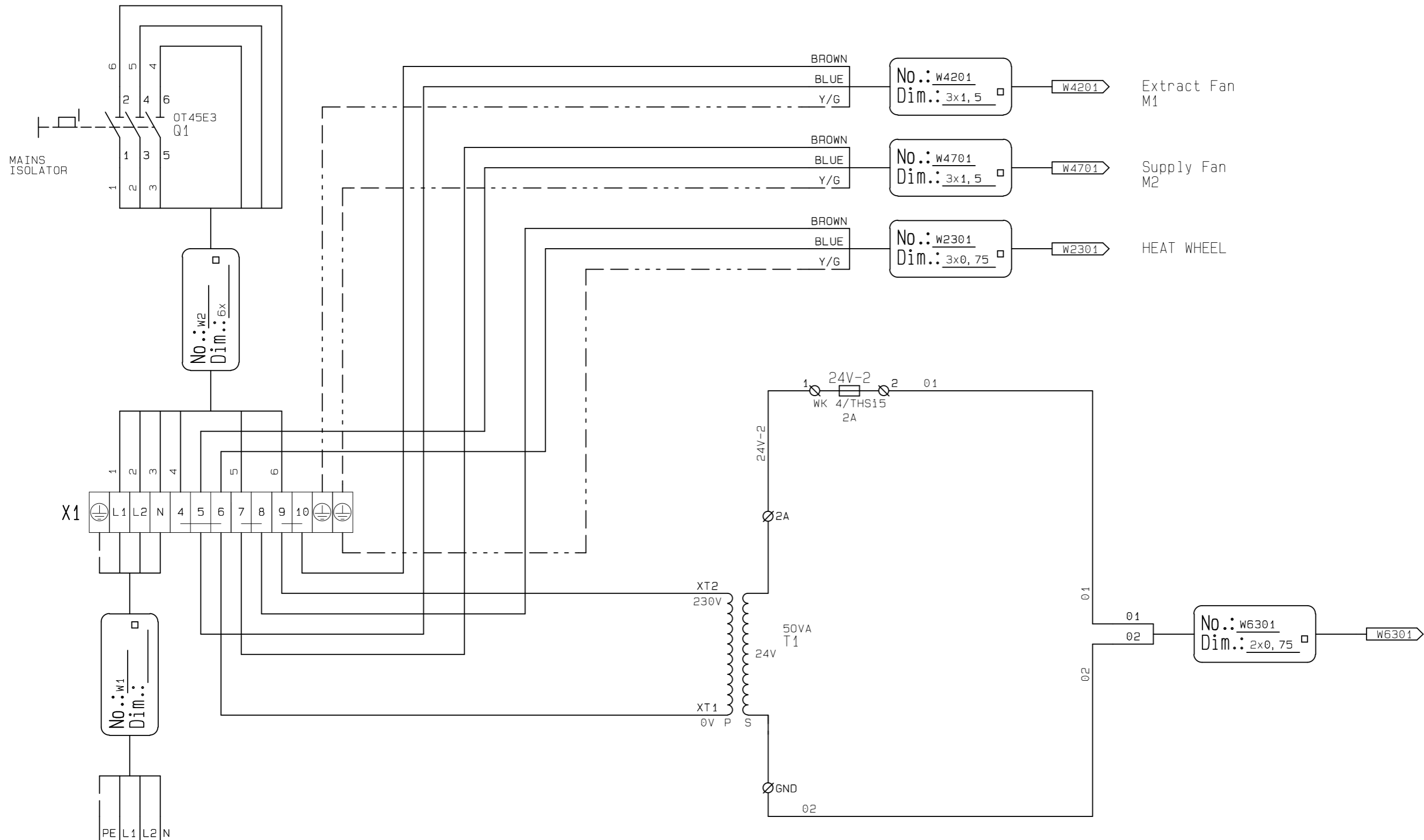
INDEX / INDHOLDSFORTEGNELSE / INHALTSVERZEICHNIS:

**1. INTERNAL CONNECTIONS IN THE UNIT / INTERNE FORBINDELSER I AGGREGAT /
INTERNE GERÄTEVERBINDUNGEN**

SUPPLY / FORSYNING / VERSORGUNGSSPANNUNG.....	1
HEAT WHEEL / ROTERENDE VEKSLER / ROTOR WÄRMETAUSCHER.....	2
COMPONENTS / KOMPONENTER / KOMPONENTEN.....	3
FAN MOTOR CONNECTIONS / MOTORTILSLUTNINGER / MOTORANSCHLUSS.....	4
PLUGS ON EXTRACT FAN / STIK PÅ UDSUGNINGS-MOTOR / STECKER FÜR ABLUFTVENTILATOR.....	5
PLUGS ON SUPPLY FAN / STIK PÅ INDBLÆSNINGS-MOTOR / STECKER FÜR ZULUFTVENTILATOR.....	6
MAINS CONNECTION / NETTILSLUTNING / NETZANSCHLUSS.....	7

2. OPTIONS / TILBEHØR / ZUBEHØR

FIRE THERMOSTATS / BRANDTERMOSTATER / BRANDTHERMOSTATE.....	8
FILTER GUARDS (MECHANICAL) / FILTERVAGTER (MEKANISKE) / FILTERWÄCHTER (MECHANISCH).....	9
SMOKE DETECTOR / RØG DETEKTOR / RAUCH DETEKTOR.....	10
DAMPER CONNECTIONS (ON/OFF) / SPJÆLDTILSLUTNING (ON/OFF) / KLAPPENANSCHLUSS (ON/OFF).....	11
DAMPER CONNECTIONS (MODULATED) / SPJÆLDTILSLUTNING (MODULERENDE) / KLAPPENANSCHLUSS (MODULIERT).....	12
FLOW GUARDS (MECHANICAL) / FLOWVAGTER (MEKANISKE) / FLOWWÄCHTER (MECHANISCH).....	13
REHEAT LPHW / EFTERVARME (VANDVARME) / NACHHEIZFLÄCHE WARMWASSER.....	14
REHEAT (ELECTRICAL) / EFTERVARME (EL-VARME) / NACHHEIZFLÄCHE ELEKTRISCH.....	15
REHEAT (ELECTRICAL) / EFTERVARME (EL-VARME) / NACHHEIZFLÄCHE ELEKTRISCH.....	16
HUMIDITY SENSOR / FUGTFØLER / FEUCHTEFÜHLER.....	17
CO2 SENSOR / CO2-FØLER / CO2 FÜHLER.....	18
CONSTANT PRESSURE IN THE SUPPLY AIR DUCT (VAV) / KONSTANT TRYK I INDBLÆSNINGSKANAL (VAV) / KONSTANTER DRUCK IM ZULUFTKANAL (VAV).....	19
DISPLACEMENT OF TEMPERATURE SETPOINT / FORSKYNING AF TEMPERATUR-SETPUNKT VERSCHIEBUNG DES TEMPERATUR SETPUNKTES.....	20
EXTENDED OPERATION / FORLÆNGET DRIFT / VERLÄNGERTE BETRIEBSZEIT.....	21
MOTION OBSERVER / BEVÆGELSESTYRING / BEWEGUNGSFÜHLER.....	22
PREHEAT (LPHW) / FORVARME (VANDVARME) / VORHEIZFLÄCHE (WARMWASSER).....	23
PREHEAT (ELECTRICAL) / FORVARME (EL-VARME) / VORHEIZFLÄCHE (ELEKTRISCH).....	24
DX WATER COOLING COIL / DX VANDKØLEFLADE / DX KALTWASSER FLÄCHE.....	25
DX COIL (CAPACITY CONTROL) COMPRESSOR / DX KØLEFLADE (KAPACITETSREGULERING) KOMPRESSOR / DX KÜHLFLÄCHE (LEISTUNGSREGULIERUNG) KOMPRESSOR.....	26
DX COIL (STARTING SIGNAL) COMPRESSOR / KØLEFLADE (STARTSIGNAL) KOMPRESSOR / DX KÜHLFLÄCHE (START SIGNAL) KOMPRESSOR.....	27
RECUPERATOR DE-ICING / AFRIMNING AF VEKSLER / ABTAUUNG WÄRMETAUSCHER.....	28
RUN-FAULT VOLTFREE SIGNAL / DRIFT-FEJLSIGNAL / BETRIEB-STÖRUNG SIGNAL.....	29
FANS ON SIGNAL / VENTILATOR KØRER SIGNAL / VENTILATOREN AN SIGNAL.....	30
COMMUNICATION MODUL / KOMMUNIKATIONS MODUL / KOMMUNIKATIONS MODUL.....	31
CONNECTING CABLE / FORBINDELSKABEL / VERBINDUNGSKABEL.....	33
START SIGNAL TO PUMP FOR WATER COOLING COIL / STARTSIGNAL TIL PUMPE FOR VANDKØLEFLADE / STARTSIGNAL FÜR UMWÄLZPUMPE KALTWASSER.....	34
START SIGNAL TO PUMP FOR REHEATER LPHW / STARTSIGNAL TIL PUMPE FOR EFTERVARMEFLADE / STARTSIGNAL FÜR UMWÄLZPUMPE WARMWASSER.....	35



Voltage: 2N~400V
 Power: --kW
 Load: --A
 Max fuse: --A
 MAINS DATA

VentR	1N~ PE 230V			2N~ PE 400V			3~ PE 230V			Conductor size Isolot->term [mm²]
	Power [kW]	Load [A]	Fuse [A]	Power [kW]	Load [A]	Fuse [A]	Power [kW]	Load [A]	Fuse [A]	
2	1,6	6,9	10	1,6	3,9	10	1,6	6,9	10	2,5
4	2,3	9,7	10	2,3	5,3	10	2,3	9,7	10	2,5
6	2,9	13,0	16	2,9	6,9	10	2,9	13,0	16	4

1 2 3 4 5 6 7 8 9 10 11 12 13 14 15 16 17 18 19 20 21 22 23 24 25 26 27 28 29 30 31 32 33 34 35 36 37

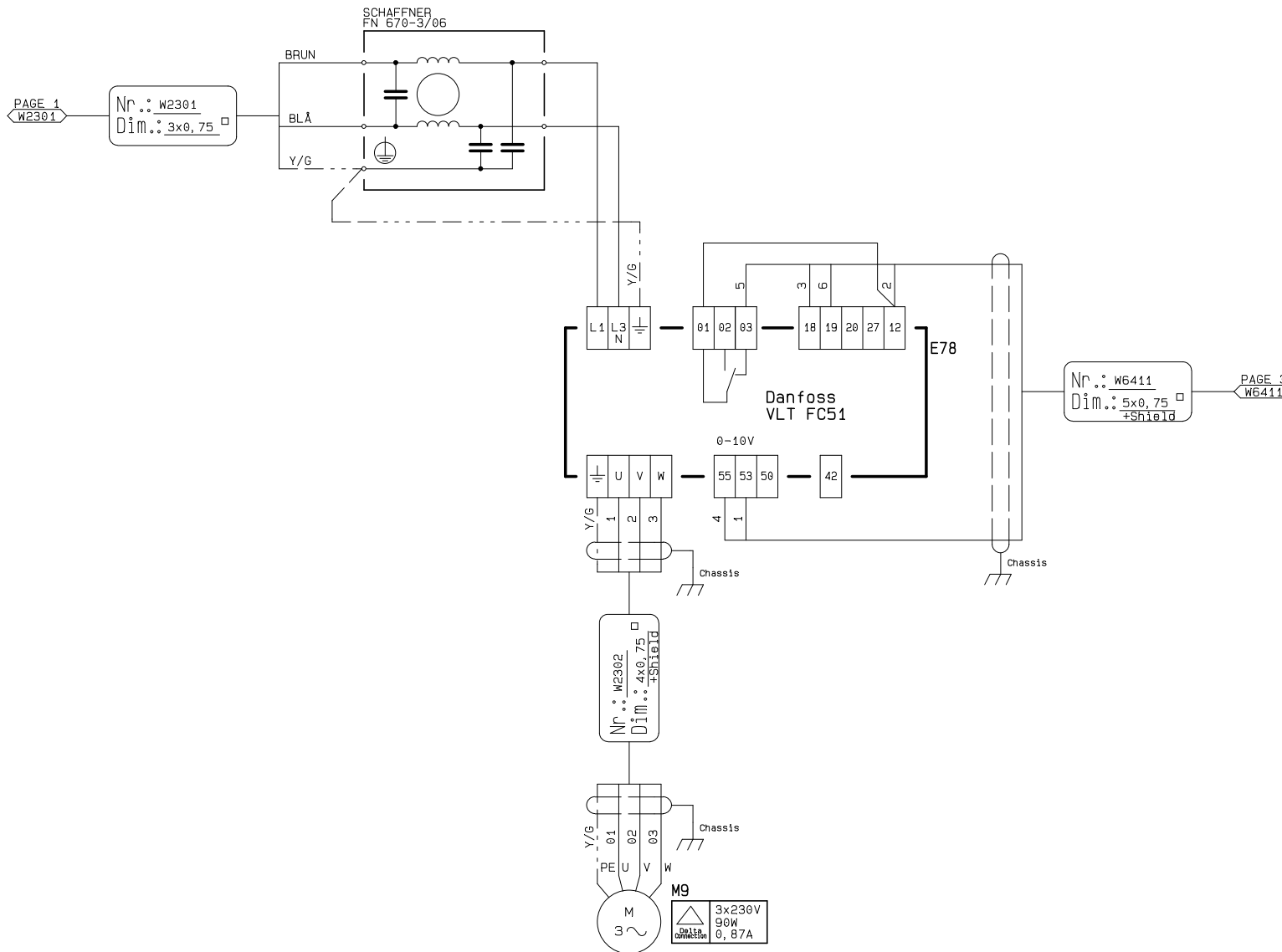
A/S Dantherm
 Jægstrupvej 4, DK - 7800 Skive
 Tel. +45 97 52 41 44
 Fax. +45 97 52 61 34

Customer: A/S DANTHERM
 Item: INTERNAL CONNECTIONS IN THE UNIT - SUPPLY
 Project title: VentR 2/4/6
 Designer:

Customer ref.:

Revision:
 Page revision:
 Printed: 02-06-2005
 Changed: 29-02-2016

Dantherm no.:
905301
 Page: 1 of 1



A/S Dantherm

Jægstрупvej 4, DK - 7800 Skive
 Tel. +45 97 52 41 44
 Fax. +45 97 52 61 34

Customer: A/S DANTHERM

Item: INTERNAL CONNECTIONS IN THE UNIT - HEAT WHEEL

Project title: VentR 2/4/6

Designer:

Customer ref.:

Revision:

Page revision:

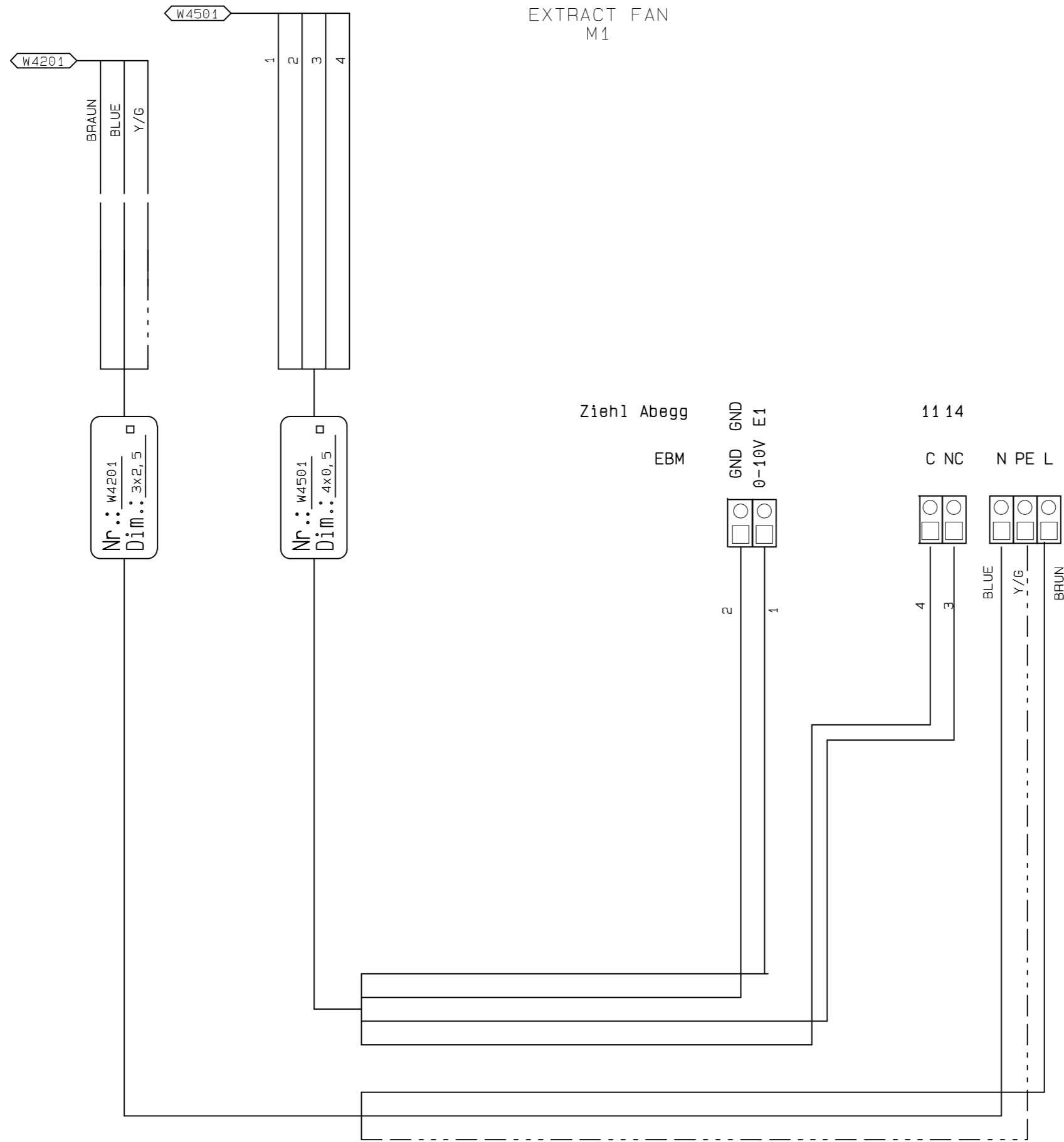
Printed: 02-06-2005

Changed: 09-09-2008

Dantherm no.:

905304

Page: 2 of 35



A/S Dantherm

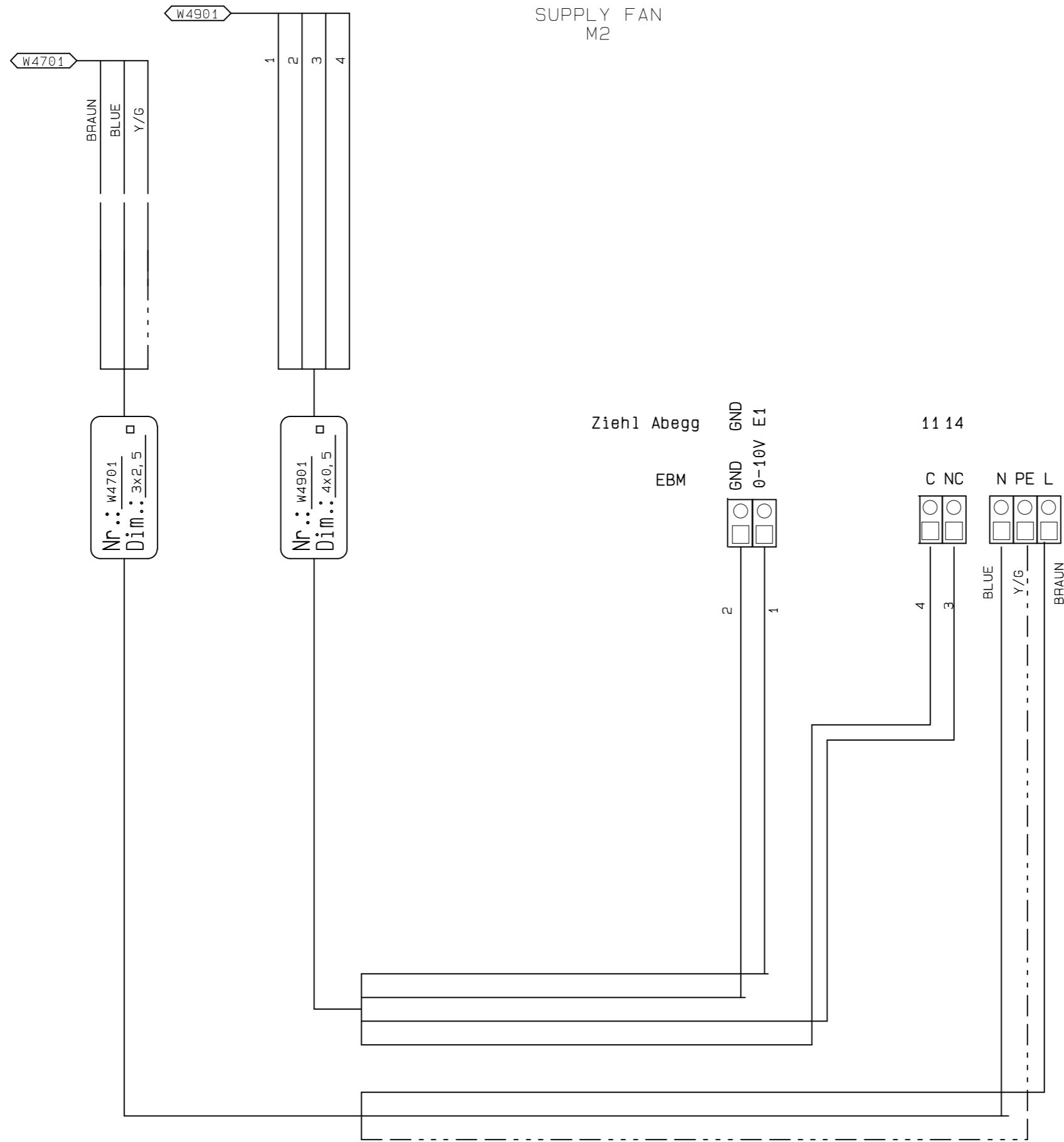
Jegstrupvej 4, DK - 7800 Skive
Tel. +45 97 52 41 44
Fax. +45 97 52 61 34

Customer: A/S DANTHERM
Item: INTERNAL CONNECTIONS IN THE UNIT - PLUGS ON EXTRACT FAN
Project title: VentR 2/4/6
Designer:

Customer ref.:

Revision:
Page revision:
Printed: 02-06-2005
Changed: 25-02-2016

Dantherm no.:
905301
Page: 5 of 6



A/S Dantherm

Jegstrupvej 4, DK - 7800 Skive
Tel. +45 97 52 41 44
Fax. +45 97 52 61 34

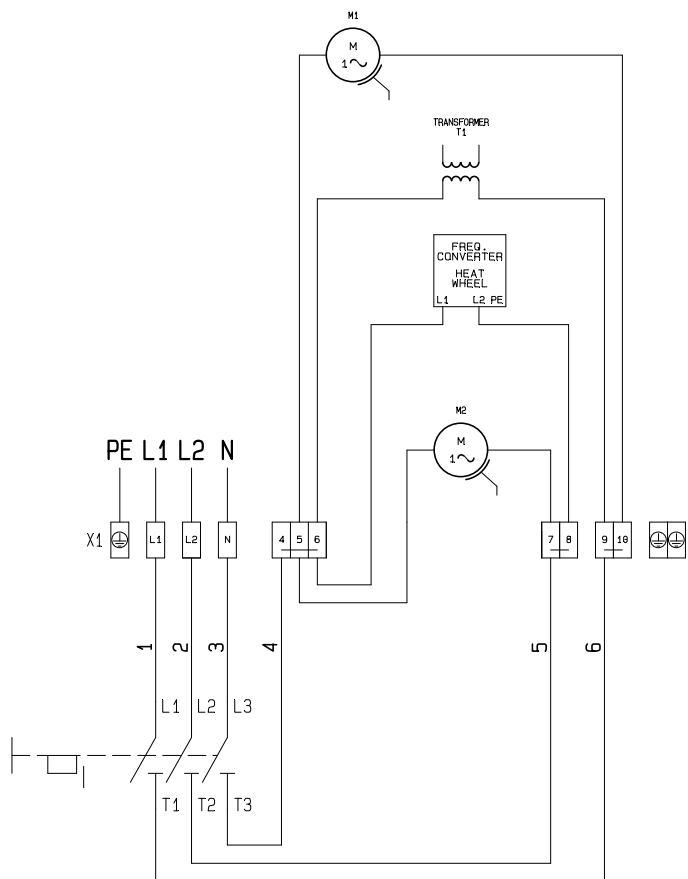
Customer: A/S DANTHERM
Item: INTERNAL CONNECTIONS IN THE UNIT - PLUGS ON SUPPLY FAN
Project title: VentR 2/4/6
Designer:

Customer ref.:

Revision:
Page revision:
Printed: 02-06-2005
Changed: 25-02-2016

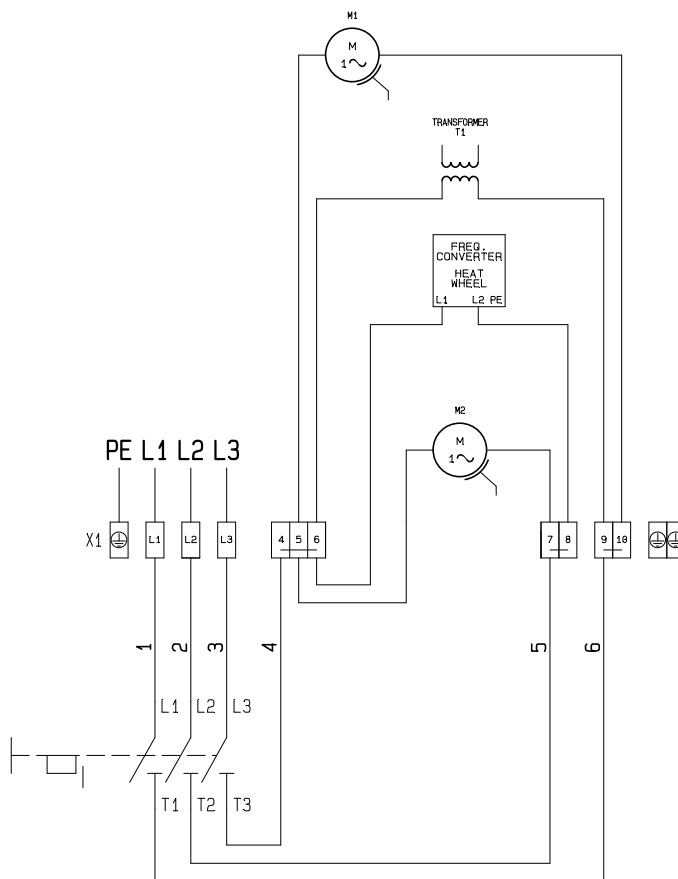
Dantherm no.:
905301
Page: 6 of 6

Mains: 2N~ PE 400V

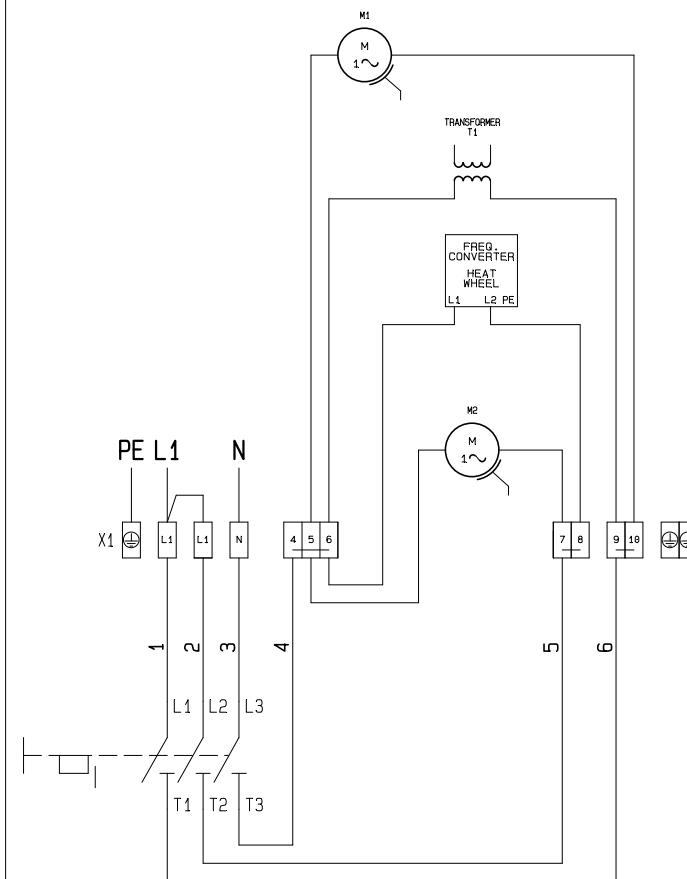


Default mounting:

Mains: 3~ PE 230V



Mains: 1N~ PE 230V



A/S Dantherm

Jegstrupvej 4, DK - 7800 Skive
Tel. +45 97 52 41 44
Fax. +45 97 52 61 34

Customer: A/S DANTHERM

Item: MAINS - 2N~ PE 400V, 3~ PE 230V & 1N~ PE 230V

Project title: Ventr 2/4/6

Designer:

Customer ref.:

Revision:

Page revision:

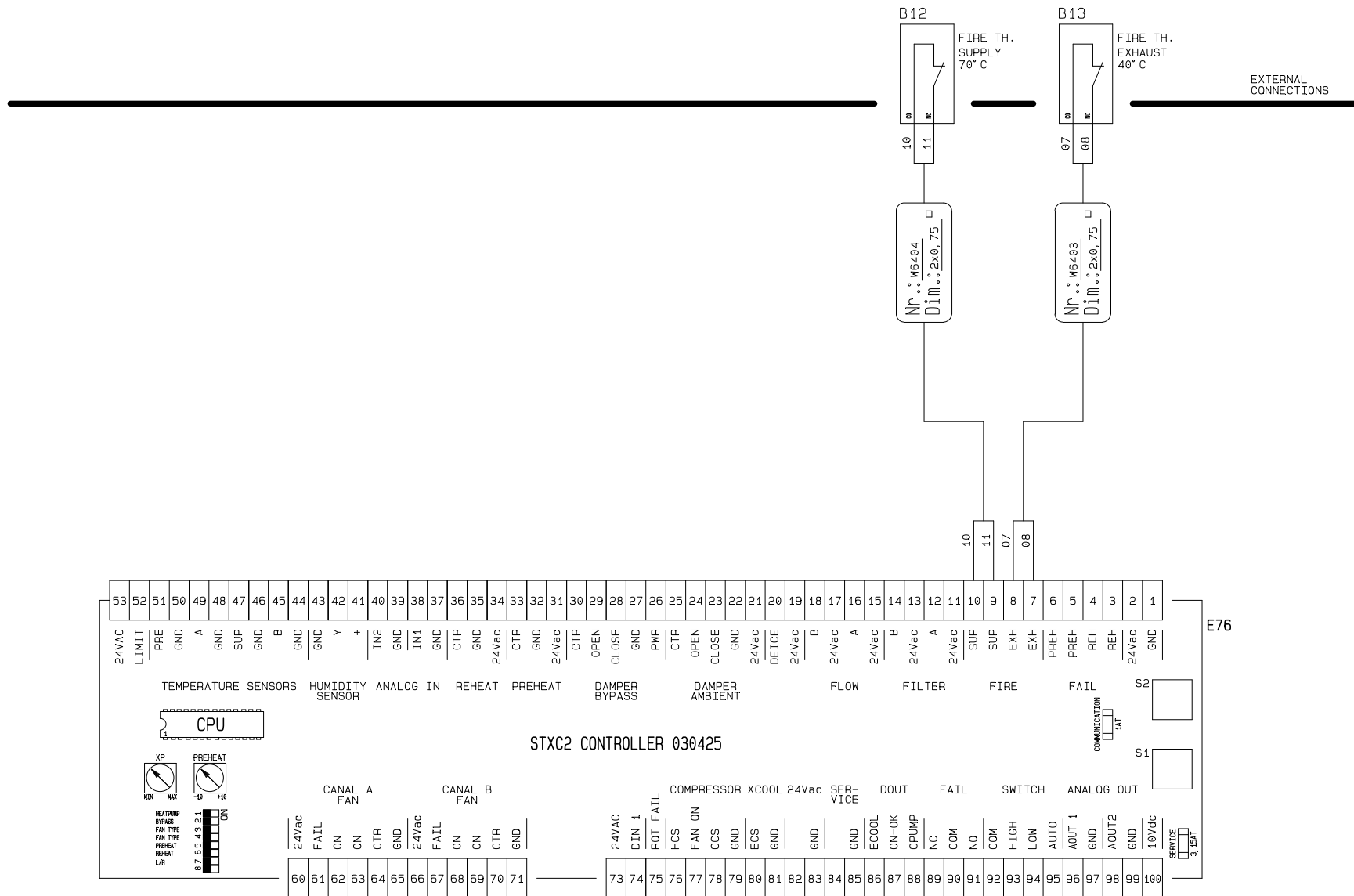
Printed: 02-06-2005

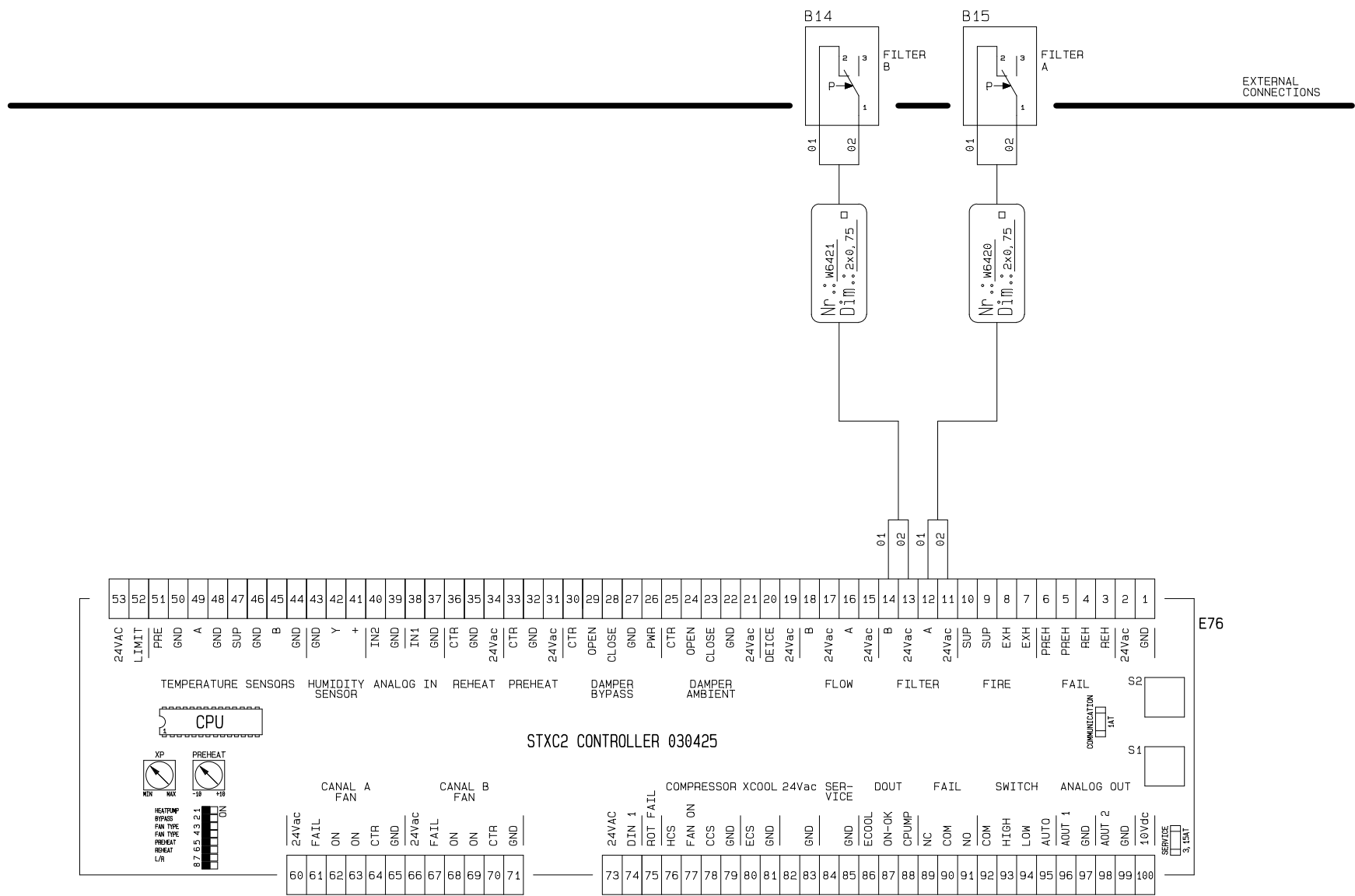
Changed: 01-02-2004

Dantherm no.:

905304

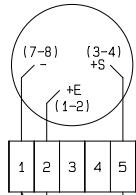
Page: 7 of 35





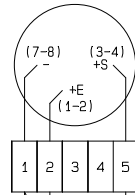
SUPPLY AIR DUCT

(VS-1130 / VS-1150)

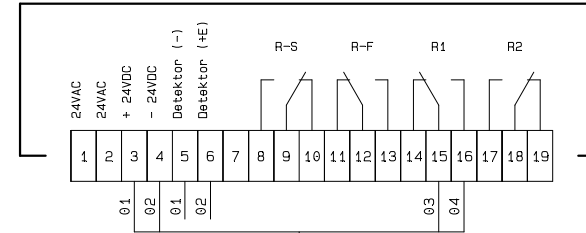


EXTRACT AIR DUCT

(VS-1130 / VS-1150)



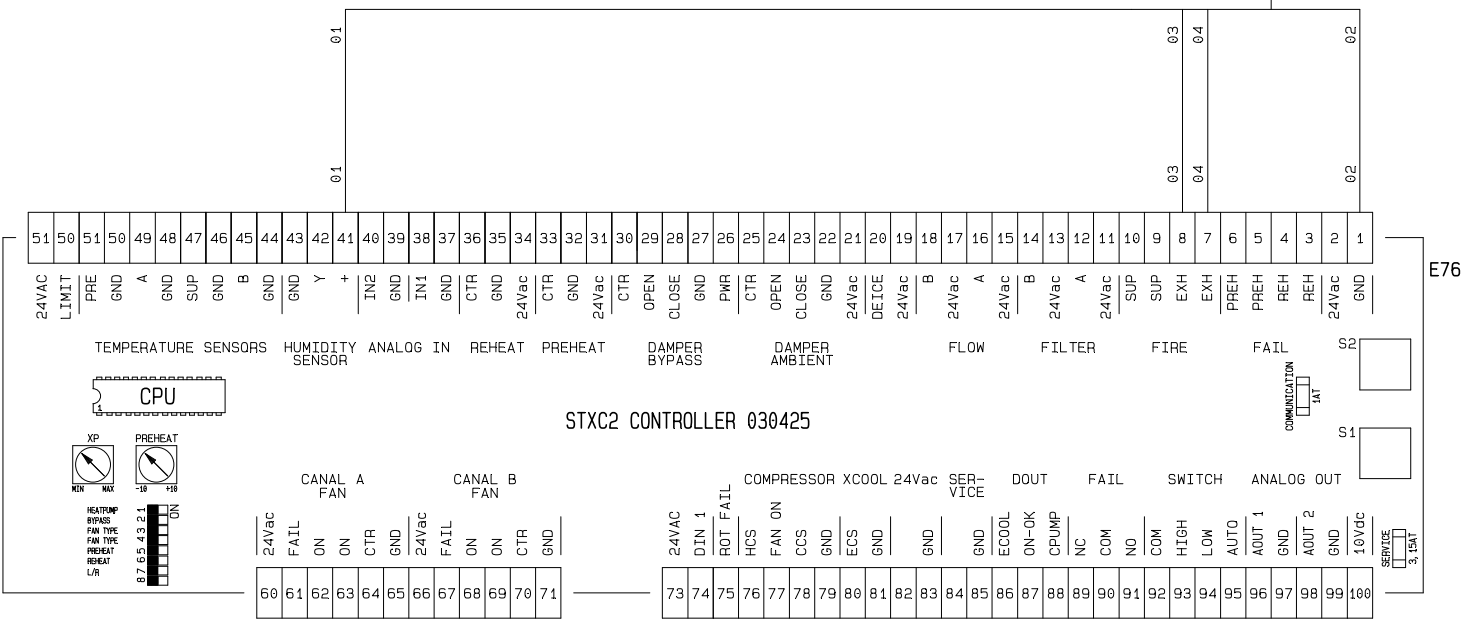
Smoke detector
(REGIN ABV-S-100)



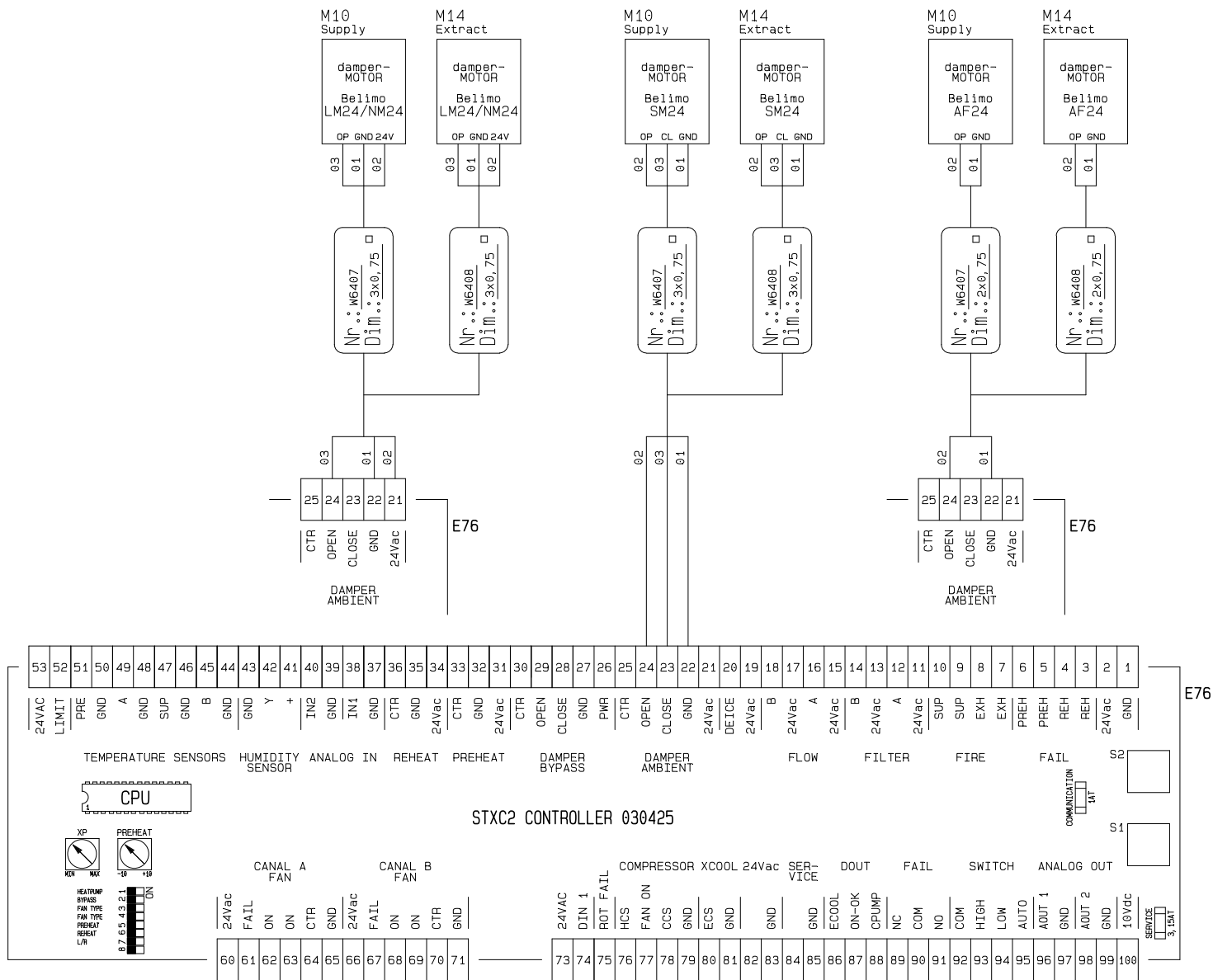
Nr.: W6427
Dim.: 2x0,75

Nr.: W6426
Dim.: 2x0,75

Nr.: W6425
Dim.: 2x0,75



A/S Dantherm Jagstrupvej 4, DK - 7800 Skive Tel. +45 97 52 41 44 Fax. +45 97 52 61 34	Customer: A/S DANTHERM	Customer ref.:	Revision:	Dantherm no.:
	Item: OPTION - SMOKE DETECTOR	Project title: VentR 2/4/6	Printed: 02-06-2005	905304
Designer:		Changed: 02-06-2005		Page: 10 of 35



A/S Dantherm

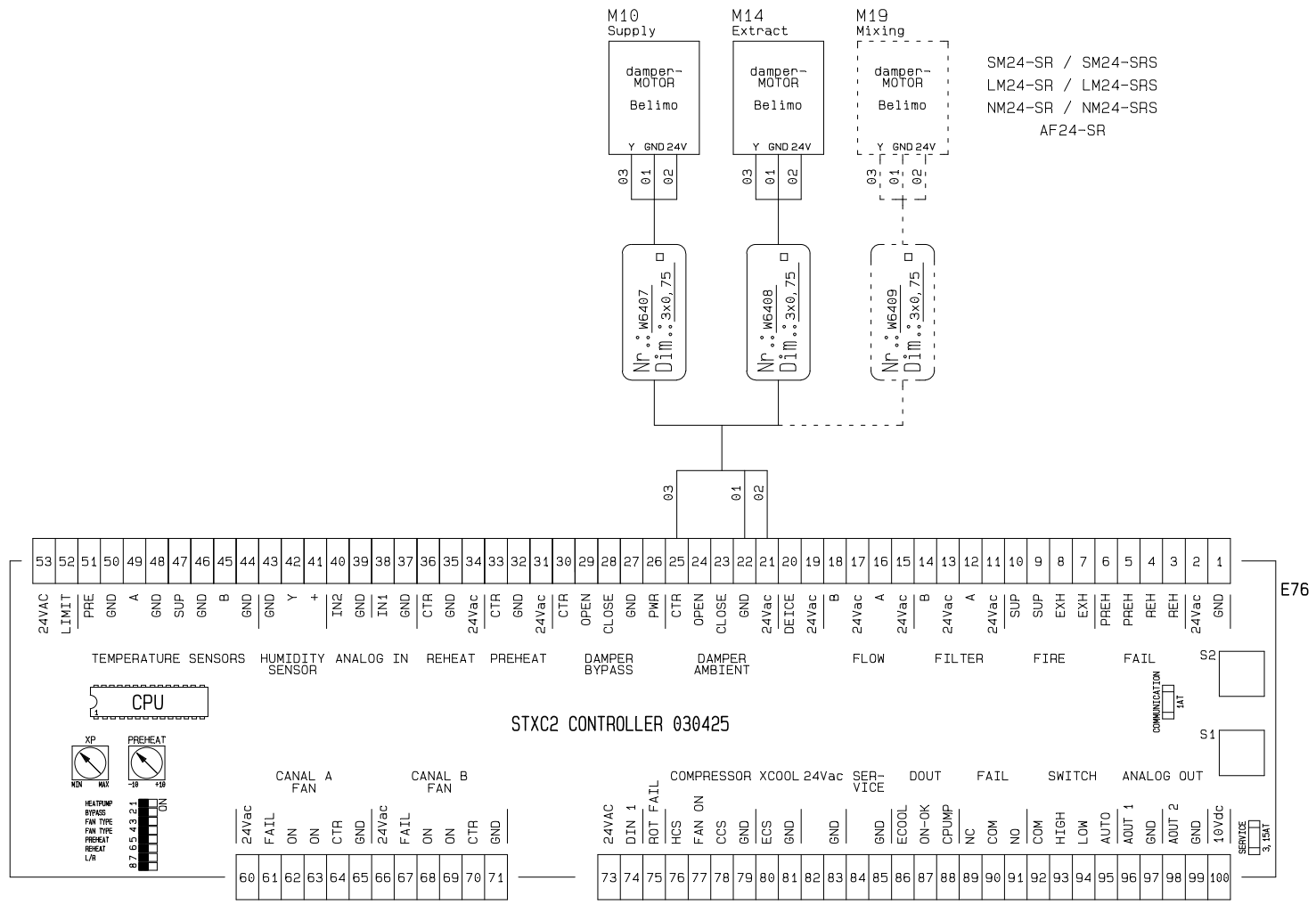
Jagstrupevej 4, DK - 7800 Skive
 Tel. +45 97 52 41 44
 Fax. +45 97 52 61 34

Customer: A/S DANTHERM
 Item: OPTION - DAMPER CONNECTIONS (ON/OFF)
 Project title: VentR 2/4/6
 Designer:

Customer ref.:

Revision:
 Page revision:
 Printed: 02-06-2005
 Changed: 02-06-2005

Dantherm no.:
905304
 Page: 11 of 35



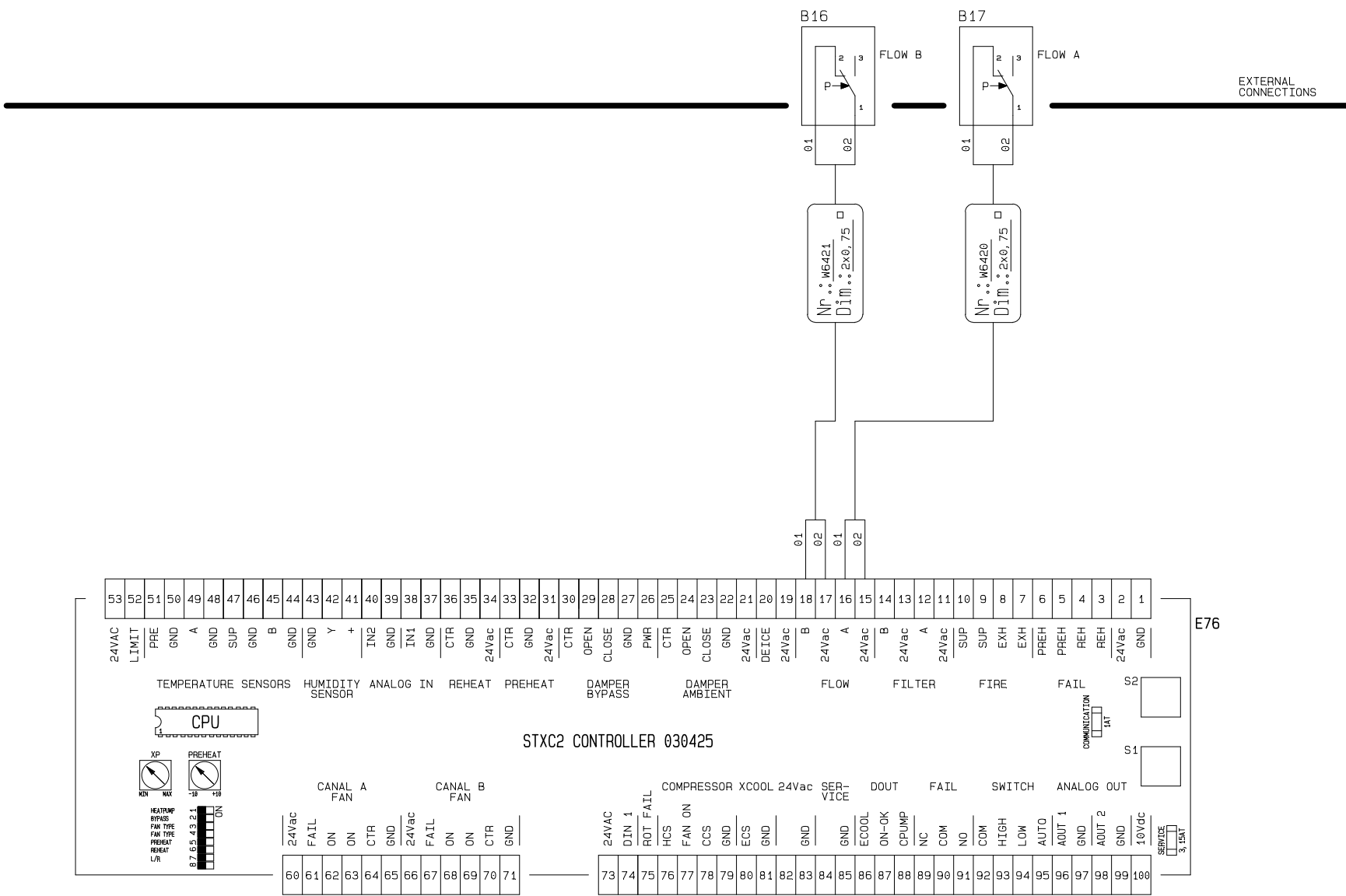
A/S Dantherm
 Jagstrupvej 4, DK - 7800 Skive
 Tel. +45 97 52 41 44
 Fax. +45 97 52 61 34

Customer: A/S DANTHERM
 Item: OPTION - DAMPER CONNECTIONS (MODULATED)
 Project title: VentR 2/4/6
 Designer:

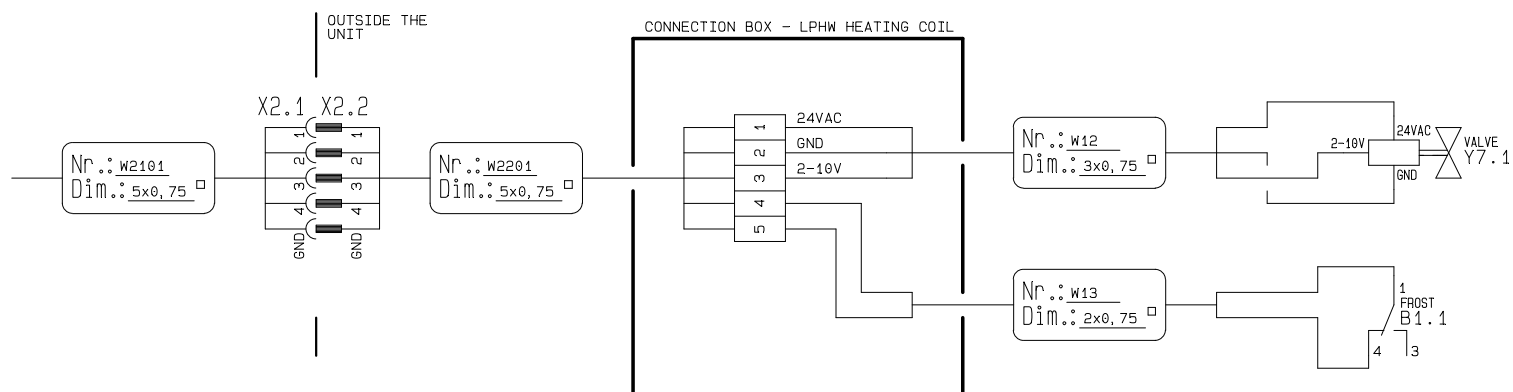
Customer ref.:

Revision:
 Page revision:
 Printed: 02-06-2005
 Changed: 02-06-2005

Dantherm no.:
905304
 Page: 12 of 35



A/S Dantherm Jagstrupvej 4, DK - 7800 Skive Tel. +45 97 52 41 44 Fax. +45 97 52 61 34	Customer: A/S DANTHERM	Customer ref.:	Revision:	Dantherm no.:
	Item: OPTION - FLOW GUARDS (MECHANICAL)		Page revision:	905304
	Project title: VentR 2/4/6		Printed: 02-06-2005	
	Designer:		Changed: 28-08-2008	Page: 13 of 35



A/S Dantherm

Jægstрупvej 4, DK - 7800 Skive
 Tel. +45 97 52 41 44
 Fax. +45 97 52 61 34

Customer: A/S DANTHERM

Item: OPTION - REHEAT (LPHW)

Project title: VentR 2/4/6

Designer:

Customer ref.:

Revision:

Page revision:

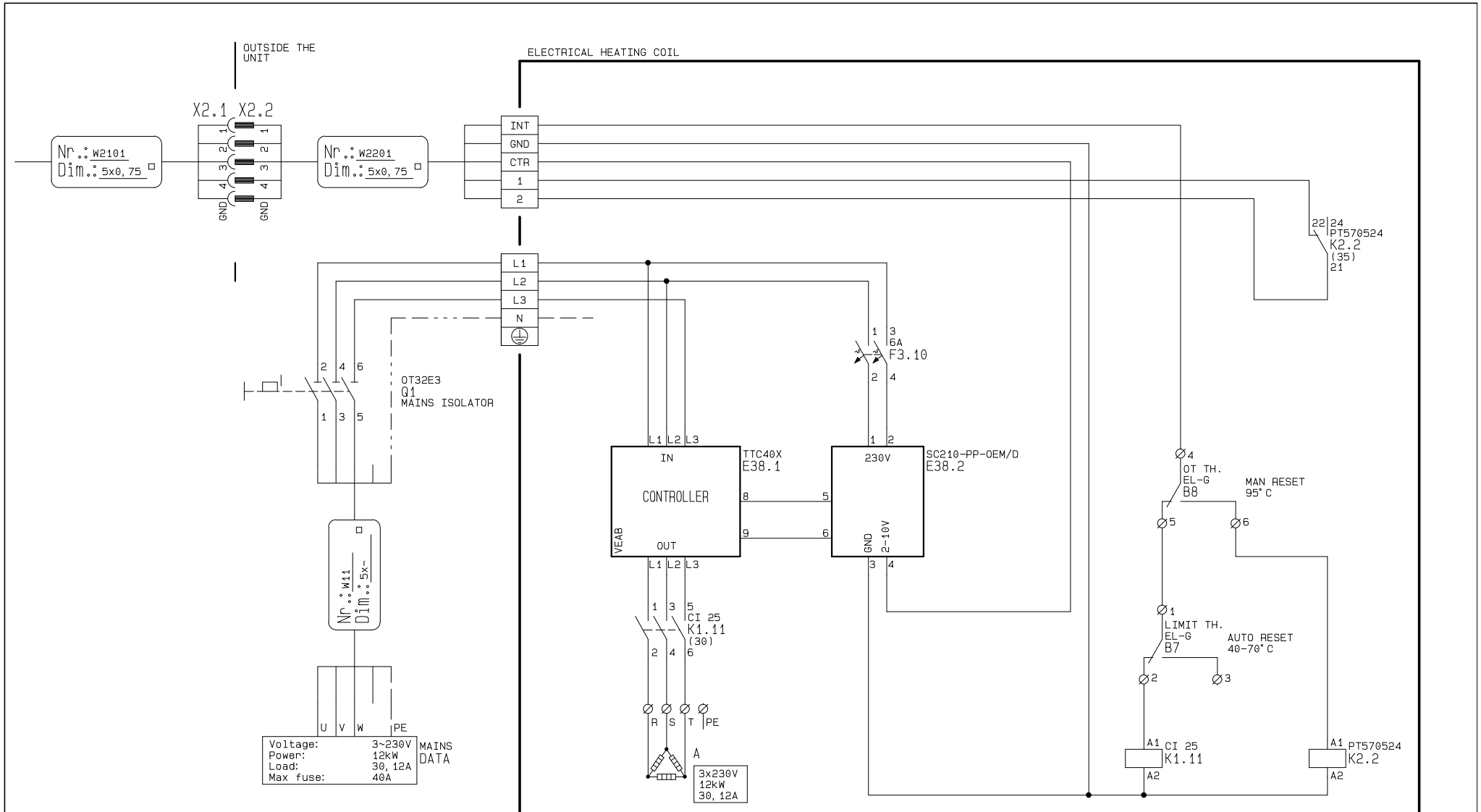
Printed: 02-06-2005

Changed: 02-06-2005

Dantherm no.:

905304

Page: 14 of 35



1 2 3 4 5 6 7 8 9 10 11 12 13 14 15 16 17 18 19 20 21 22 23 24 25 26 27 28 29 30 31 32 33 34 35 36 37

	3~ PE 230V		
VentR	Power: [kW]	Load: [A]	Fuse: [A]
2	7,5	18, 82	20
4	12	30, 12	40
6	17	42, 67	50

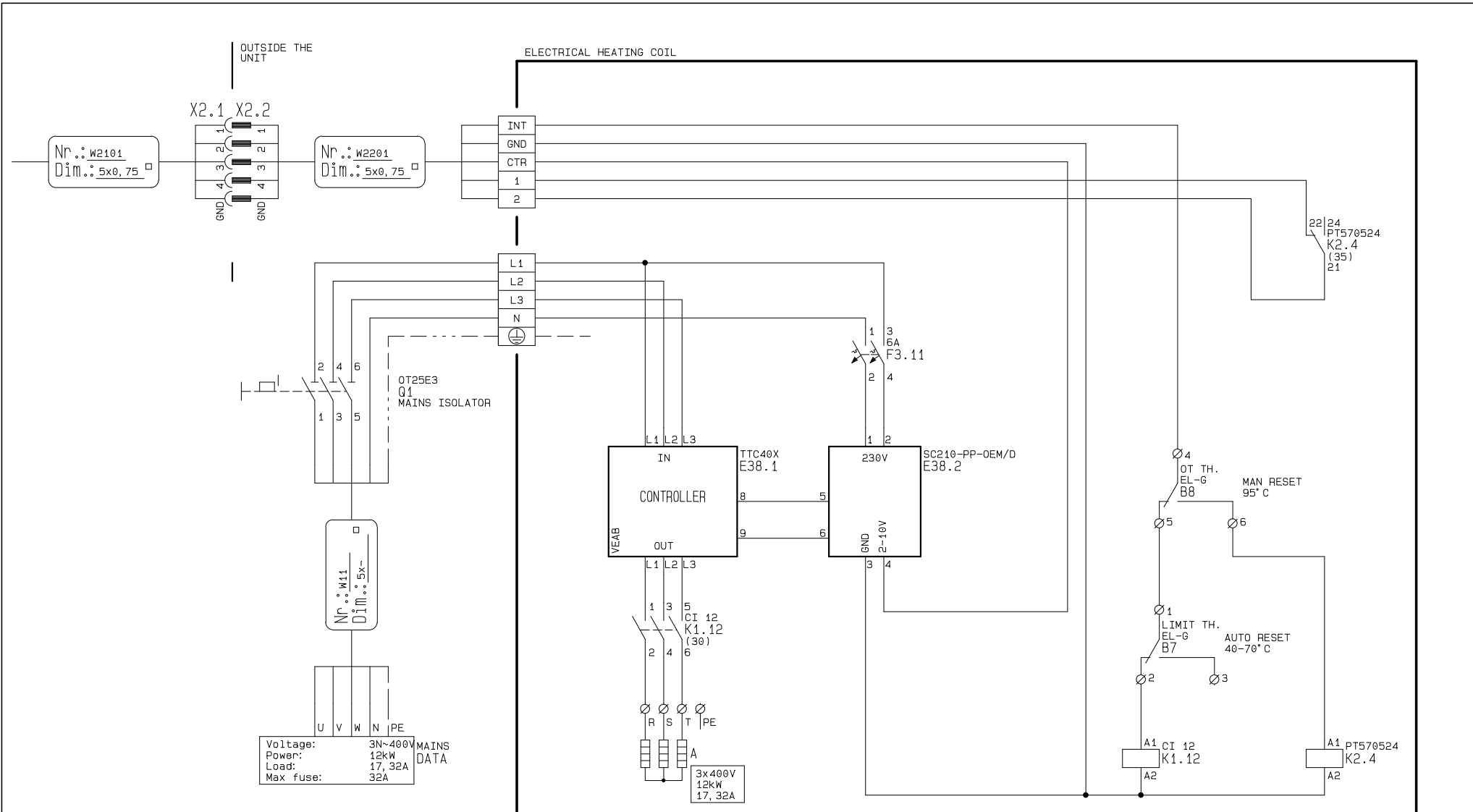
Voltage: 3~230V
 Power: 12kW
 Load: 30, 12A
 Max fuse: 40A

3x230V
 12kW
 30, 12A

(17)

(35)+(35)

A/S Dantherm Jagstrupvej 4, DK - 7800 Skive Tel. +45 97 52 41 44 Fax. +45 97 52 61 34	Customer: A/S DANTHERM	Customer ref.:	Revision:	Dantherm no.:
	Item: OPTION - REHEAT (ELECTRICAL) 3~ PE 230V		Page revision: 1	905304
	Project title: VentR 2/4/6		Printed: 02-06-2005	
	Designer:		Changed: 02-06-2005	Page: 15 of 35



1 2 3 4 5 6 7 8 9 10 11 12 13 14 15 16 17 18 19 20 21 22 23 24 25 26 27 28 29 30 31 32 33 34 35 36 37

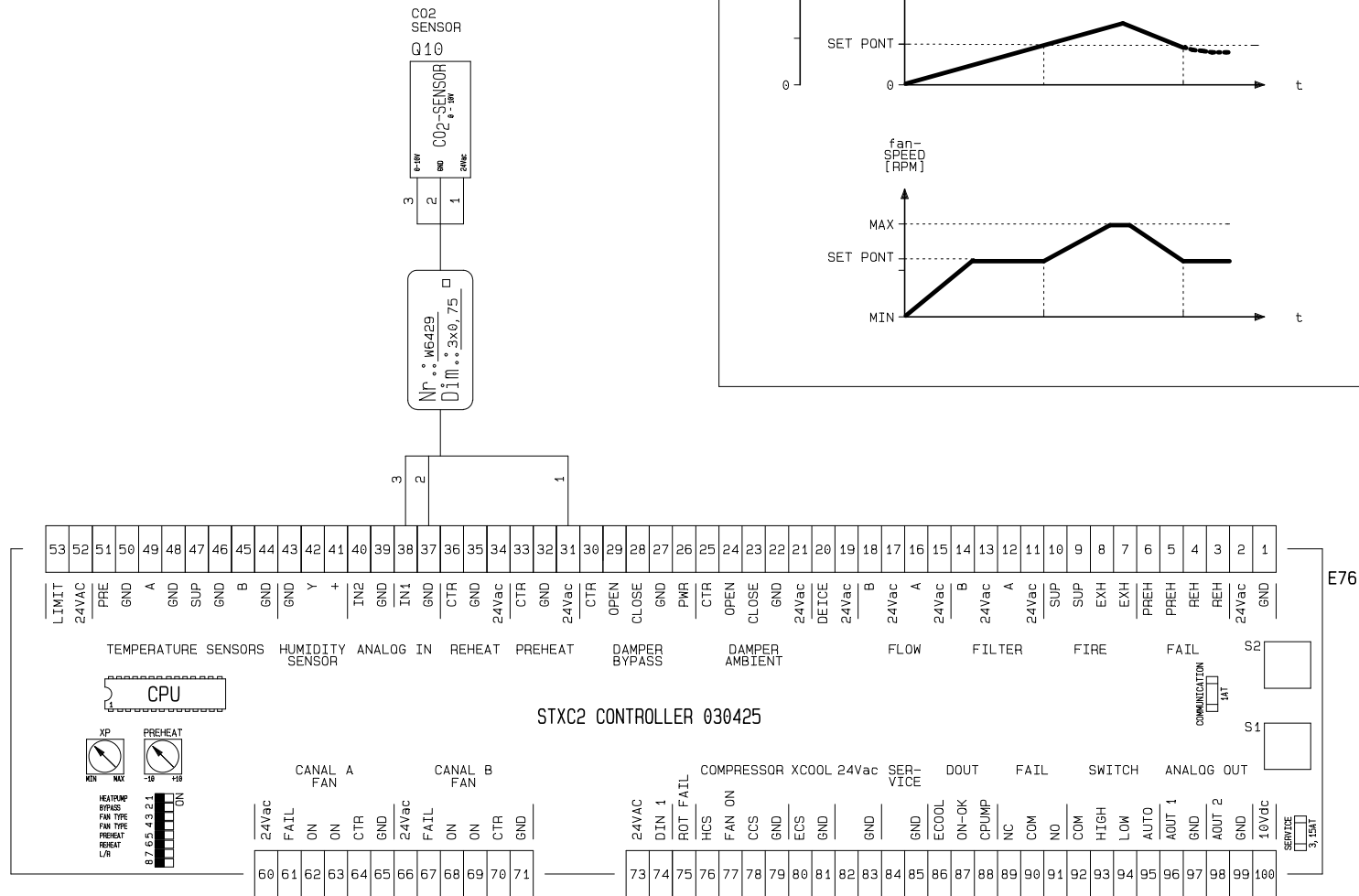
	3N~ PE 400V		
VentR	Power: [kW]	Load: [A]	Fuse: [A]
2	7,5	10,82	16
4	12	17,32	20
6	17	24,54	32

A/S Dantherm
 Jagstrupvej 4, DK - 7800 Skive
 Tel. +45 97 52 41 44
 Fax. +45 97 52 61 34

Customer: A/S DANTHERM
 Item: OPTION - REHEAT (ELECTRICAL) 3N~ PE 400V
 Project title: VentR 2/4/6
 Designer:

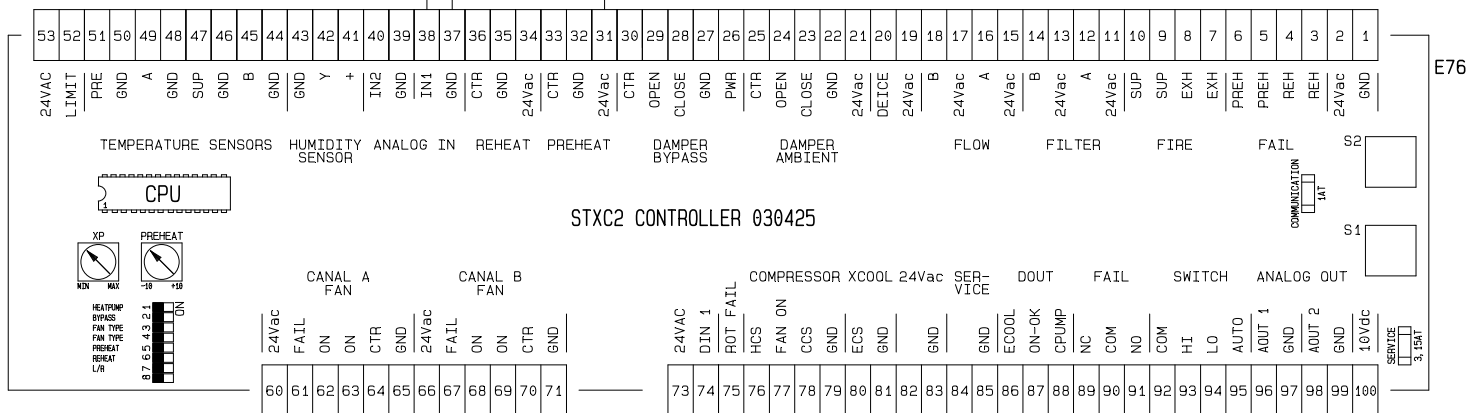
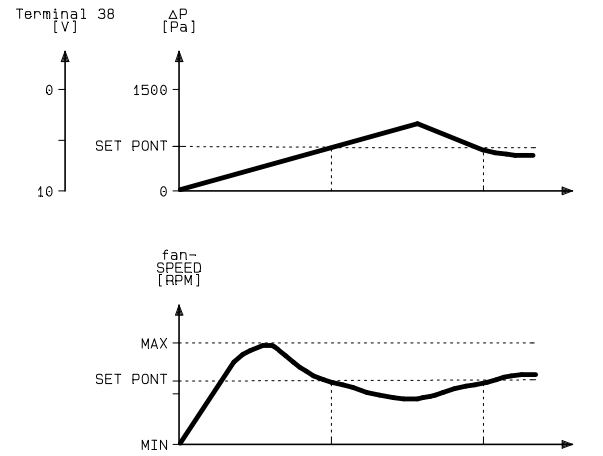
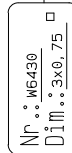
Customer ref.:
 Revision:
 Page revision: 1
 Printed: 02-06-2005
 Changed: 02-06-2005

Dantherm no.:
905304
 Page: 16 of 35



PRESSURE SENSOR
PLACED IN THE
SUPPLY AIR DUCT
(CONSTANT PRESSURE)

PRESSURE
SENSOR
Q11



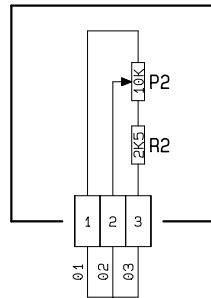
A/S Dantherm
Jagstrupvej 4, DK - 7800 Skive
Tel. +45 97 52 41 44
Fax. +45 97 52 61 34

Customer: A/S DANTHERM
Item: OPTION - CONSTANT PRESSURE IN THE SUPPLY AIR DUCT (VAV)
Project title: VentR 2/4/6
Designer:

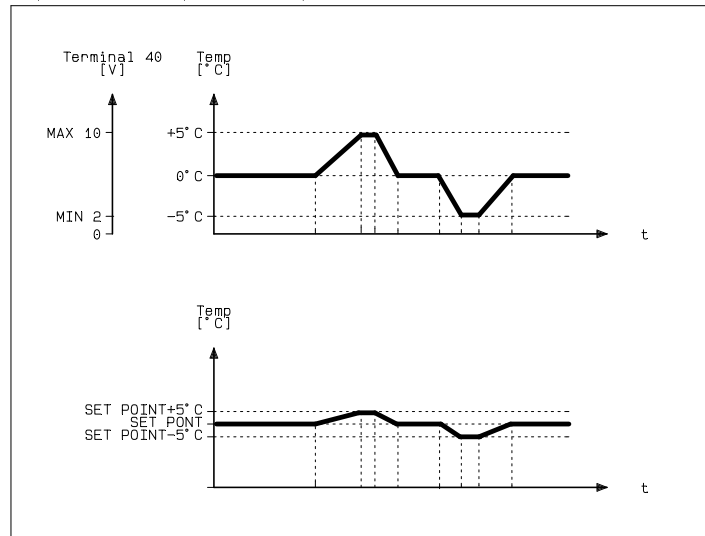
Customer ref.:

Revision:
Page revision:
Printed: 02-06-2005
Changed: 02-06-2005

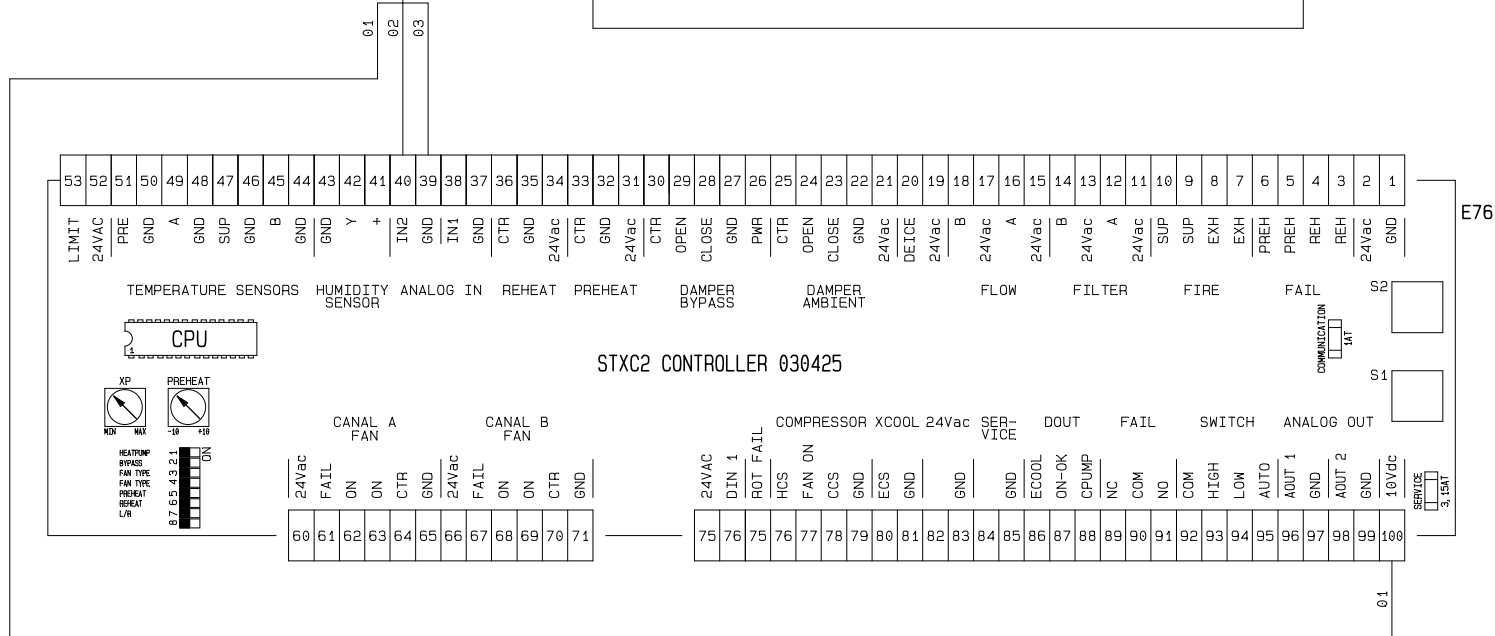
Dantherm no.:
905304
Page: 19 of 35



Displacement of temperature set point.



Nr.: W6432
Dim.: 3x0,75



STXC2 CONTROLLER 030425

A/S Dantherm

Jægstрупvej 4, DK - 7800 Skive
Tel. +45 97 52 41 44
Fax. +45 97 52 61 34

Customer: A/S DANTHERM

Item: OPTION - DISPLACEMENT OF TEMPERATURE SET POINT

Project title: VentR 2/4/6

Designer:

Customer ref.:

Revision:

Page revision:

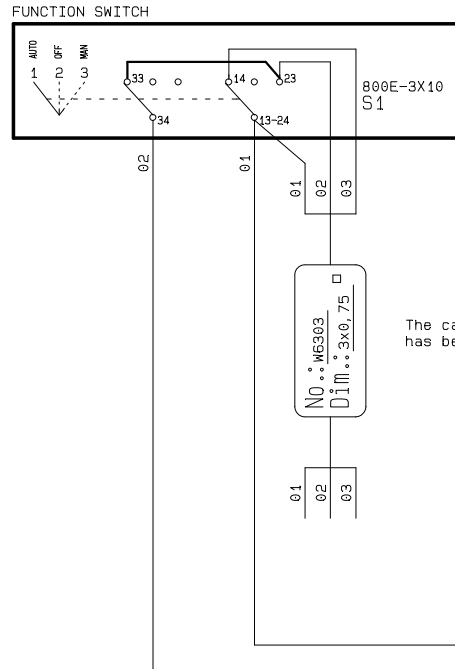
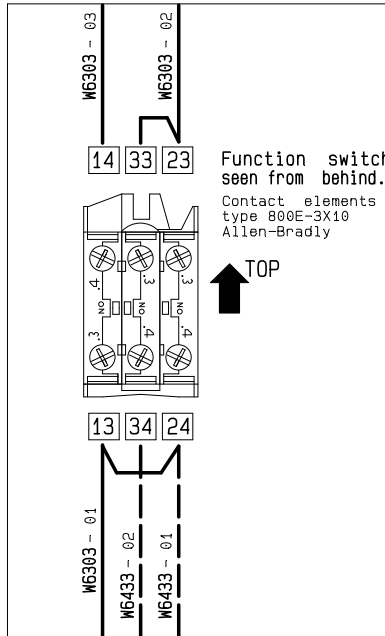
Printed: 02-06-2005

Changed: 02-06-2005

Dantherm no.:

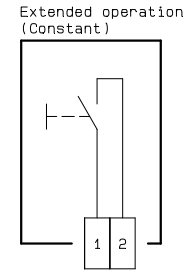
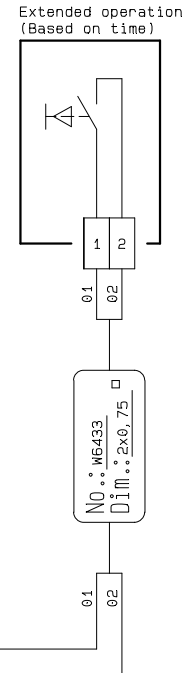
905304

Page: 20 of 35



Extended operation:
The function is only
activated by the
function switch S1
in position AUTO.

Parameters
in manual mode.



A/S Dantherm

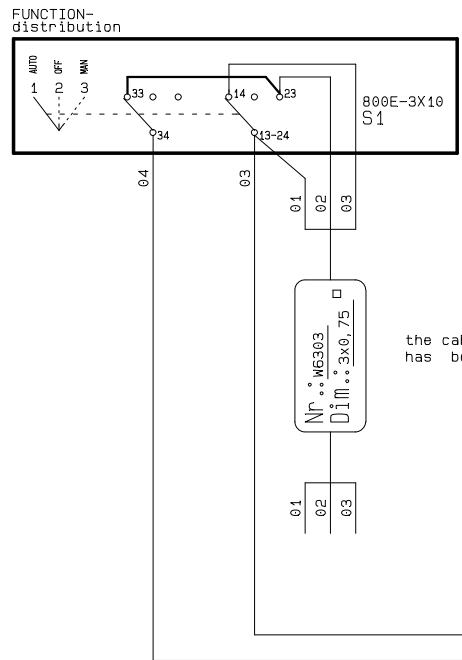
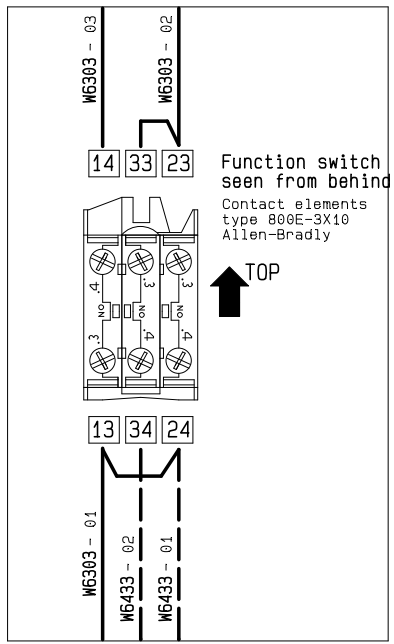
Jagstrupvej 4, DK - 7800 Skive
Tel. +45 97 52 41 44
Fax. +45 97 52 61 34

Customer: A/S DANTERM
Item: OPTION - EXTENDED OPERATION
Project title: VentR 2/4/6
Designer:

Customer ref.:

Revision:
Page revision:
Printed: 02-06-2005
Changed: 09-11-2001

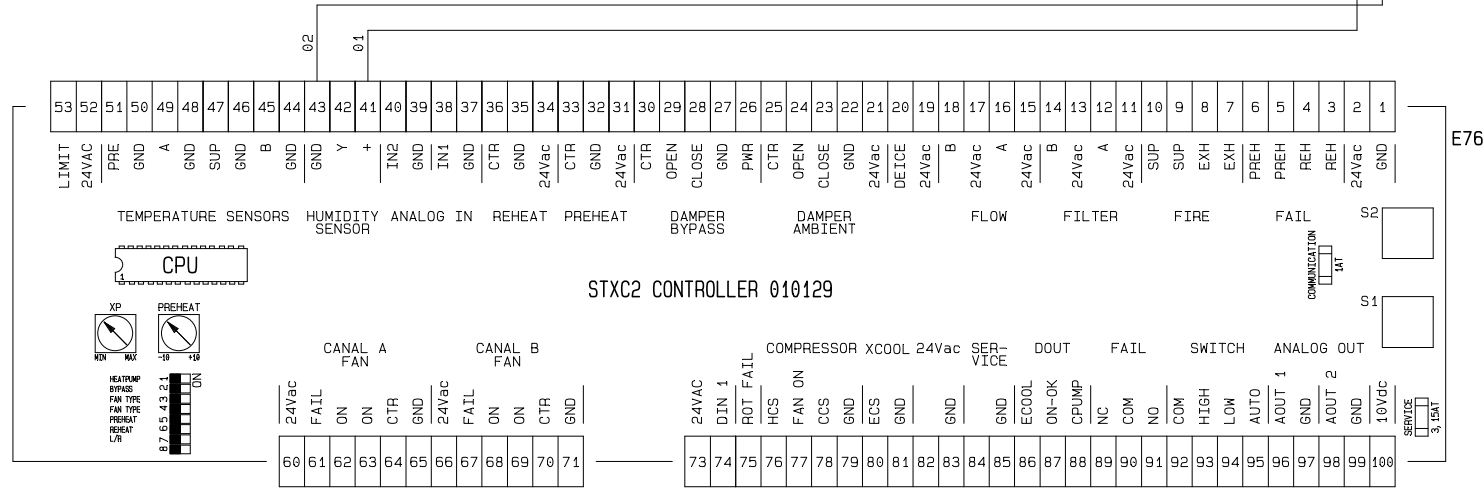
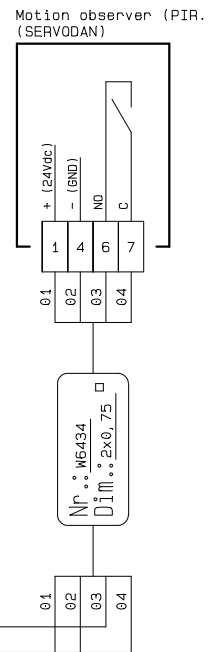
Dantherm no.:
905304
Page: 21 of 35



the cable6303 has been connected.

Motion observer (PIR: the function is only activated by the function switch S1 in position AUTO.

parameters in manual mode on.



A/S Dantherm
Jagstrupevej 4, DK - 7800 Skive
Tel. +45 97 52 41 44
Fax. +45 97 52 61 34

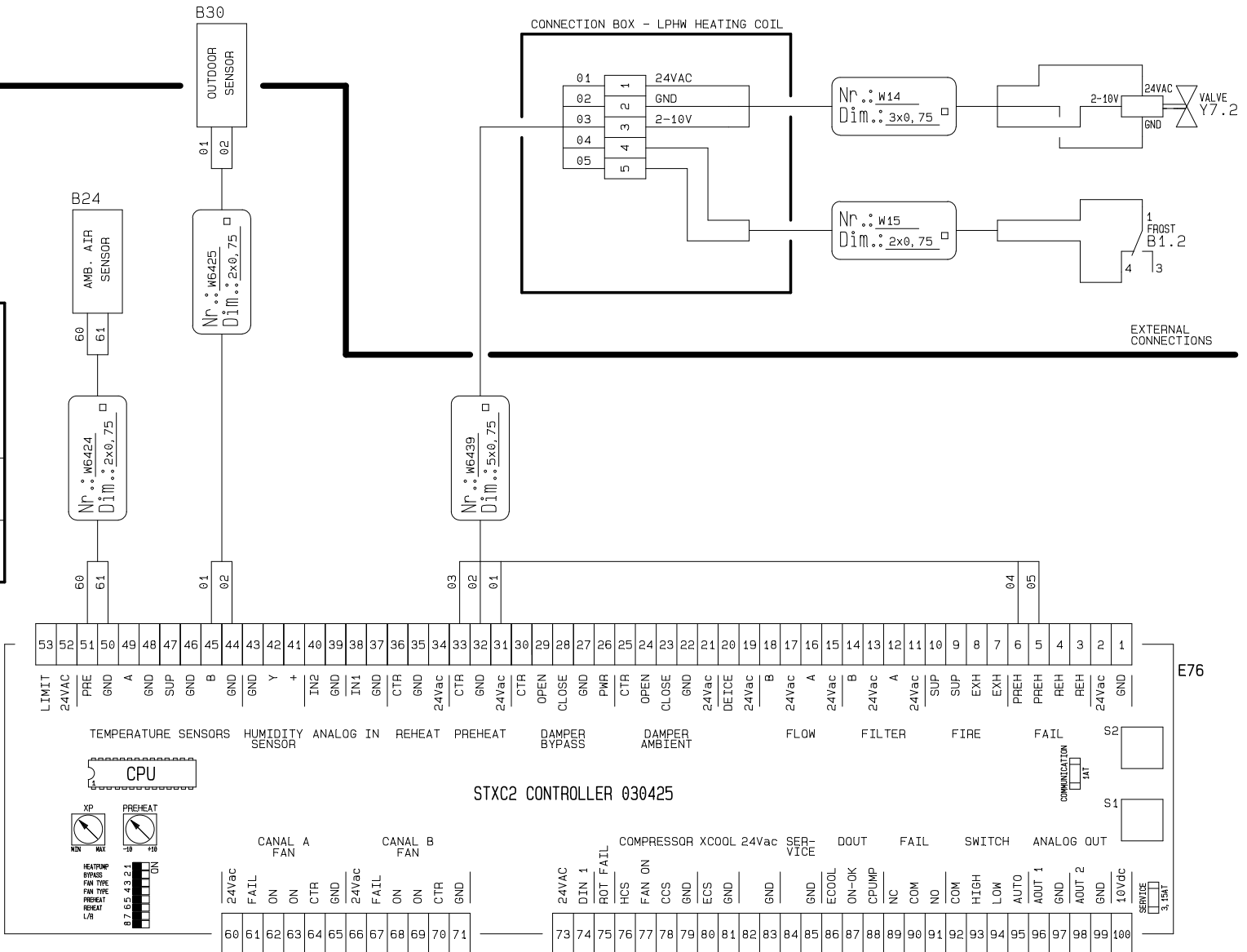
Customer: A/S DANTHERM
Item: OPTION - MOTION OBSERVER (PIR)
Project title: VentR 2/4/6
Designer:

Customer ref.:

Revision:
Page revision:
Printed: 02-06-2005
Changed: 02-06-2005

Dantherm no.:
905304
Page: 22 of 35

- 1 The resistor R1 is removed from terminals 50-51.
- 2 The ambient air sensor B24 is from terminals 44-45 to moved terminals 50-51.
- 3 Ude-føleren B30 to the terminals 44-45.



A/S Dantherm
 Jagstrupvej 4, DK - 7800 Skive
 Tel. +45 97 52 41 44
 Fax. +45 97 52 61 34

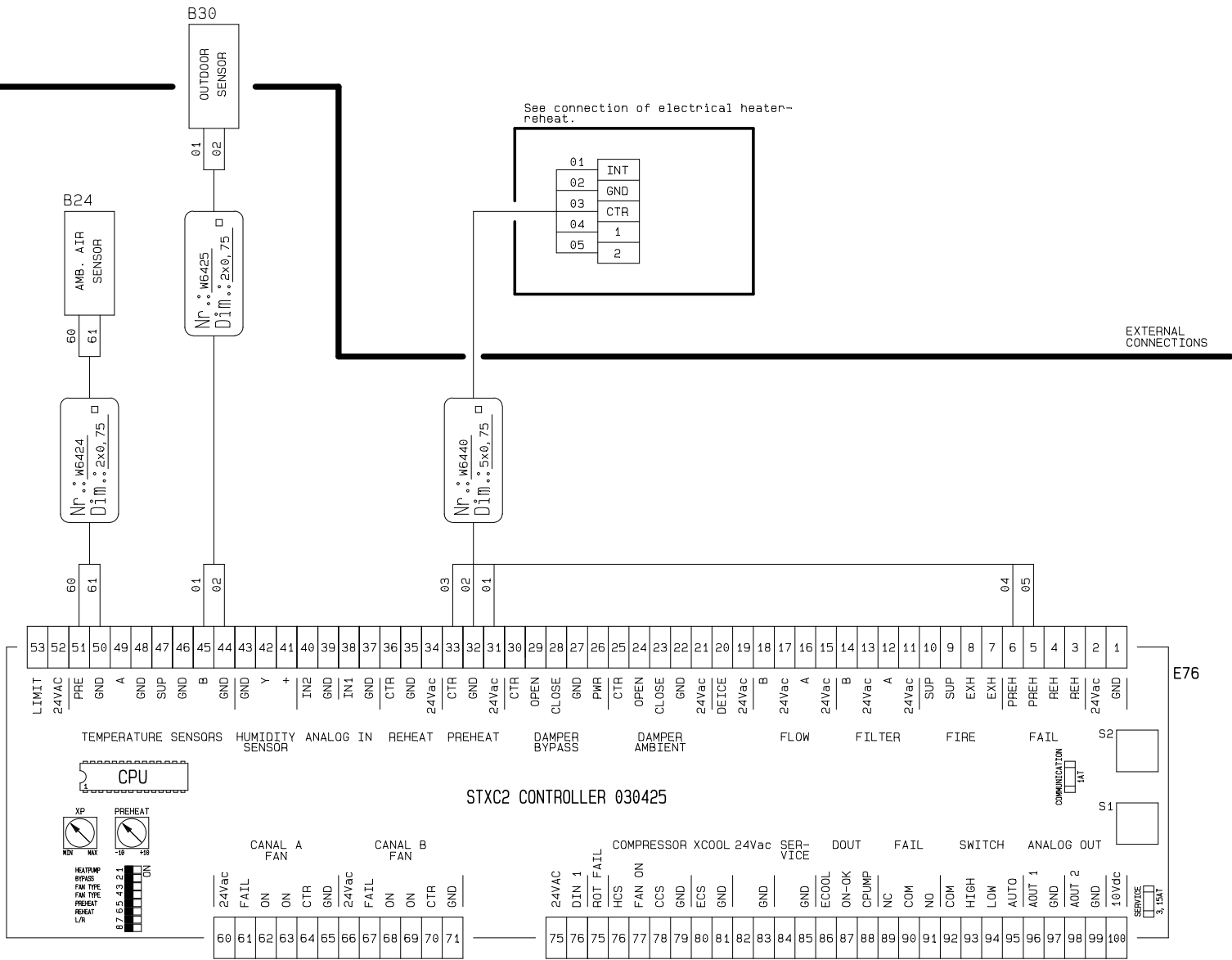
Customer: A/S DANTHERM
 Item: OPTION - PREHEAT (LPHW)
 Project title: VentR 2/4/6
 Designer:

Customer ref.:

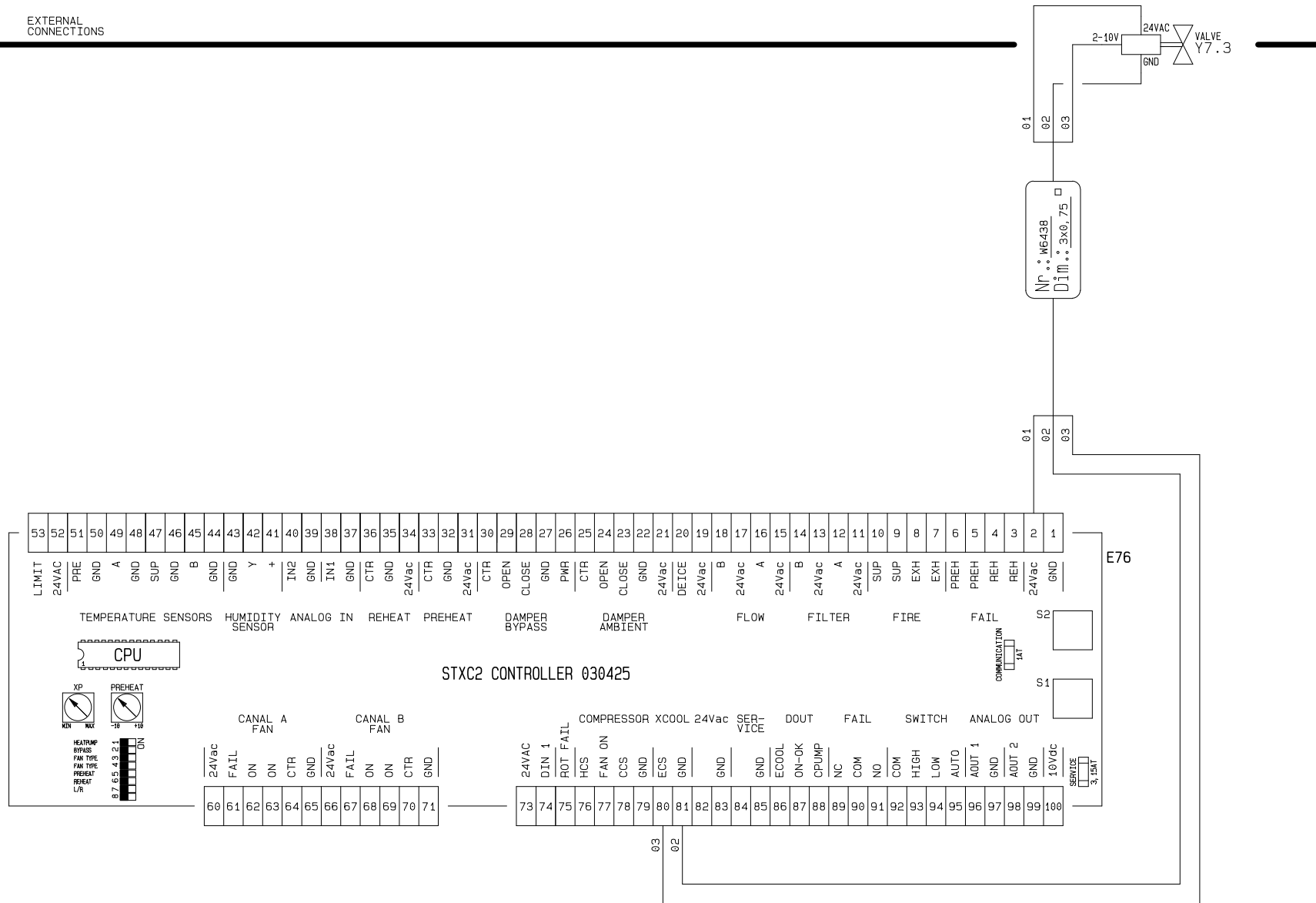
Revision:
 Page revision:
 Printed: 02-06-2005
 Changed: 02-06-2005

Dantherm no.:
905304
 Page: 23 of 35

- 1 The resistor R1 is removed from terminals 50-51.
- 2 The ambient air sensor B24 is moved from terminals 44-45 to terminals 50-51.
- 3 Outside sensor B30 to the terminals 44-45.



EXTERNAL CONNECTIONS



A/S Dantherm

Jagtstrupvej 4, DK - 7800 Skive
Tel. +45 97 52 41 44
Fax. +45 97 52 61 34

Customer: A/S DANTHERM

Item: OPTION - DX COIL (BASED ON WATER)

Project title: Ventr 2/4/6

Designer:

Customer ref.:

Revision:

Page revision:

Printed:

Changed:

02-06-2005

02-06-2005

Dantherm no.:

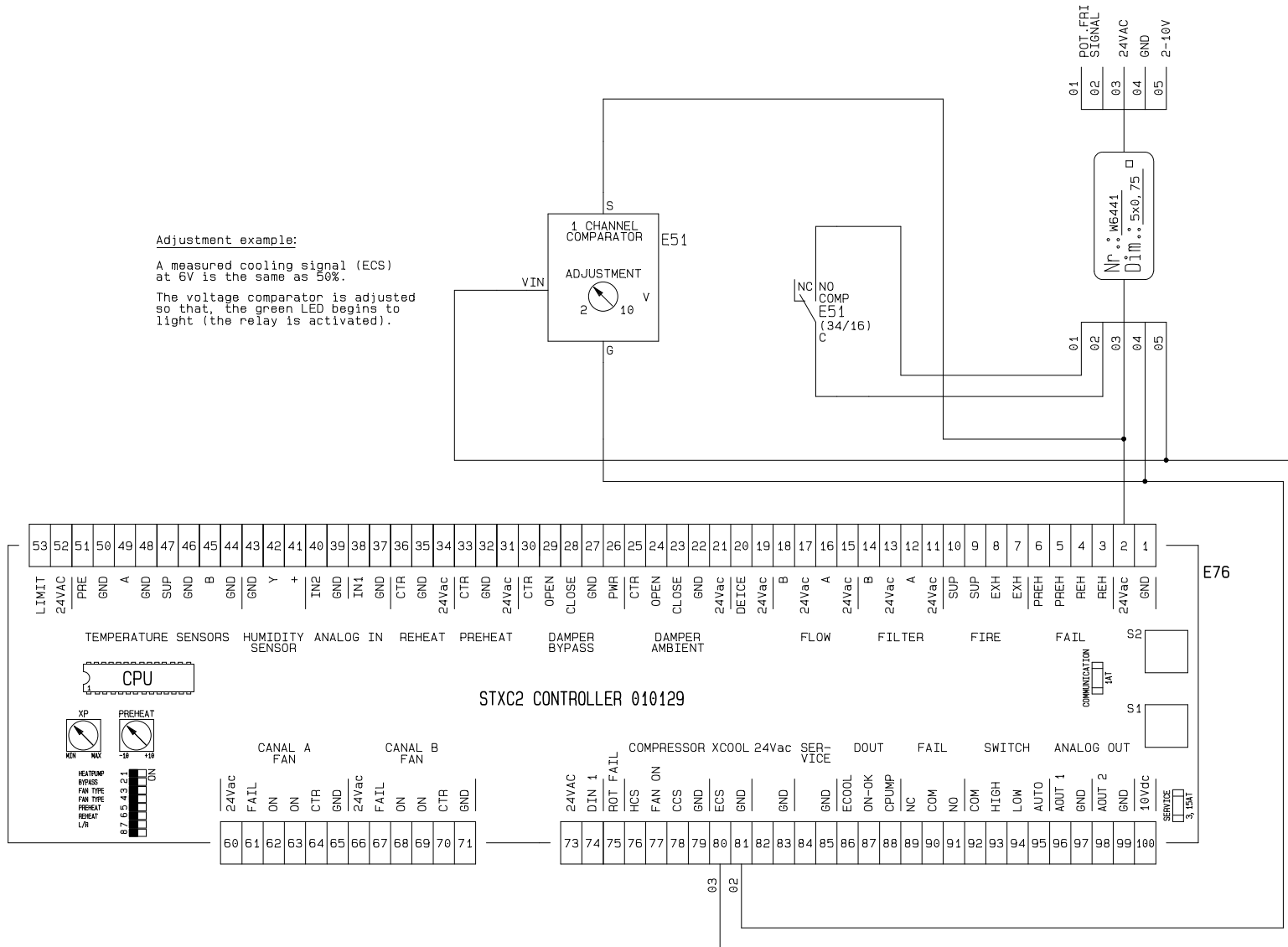
905304

Page: 25 of 35

Adjustment example:

A measured cooling signal (ECS) at 6V is the same as 50%.

The voltage comparator is adjusted so that, the green LED begins to light (the relay is activated).



A/S Dantherm

Jægstрупvej 4, DK - 7800 Skive
Tel. +45 97 52 41 44
Fax. +45 97 52 61 34

Customer: A/S DANTHERM

Item: OPTION - DX COIL (CAPACITY CONTROL) COMPRESSOR

Project title: VentR 2/4/6

Designer:

Customer ref.:

Revision:

Page revision:

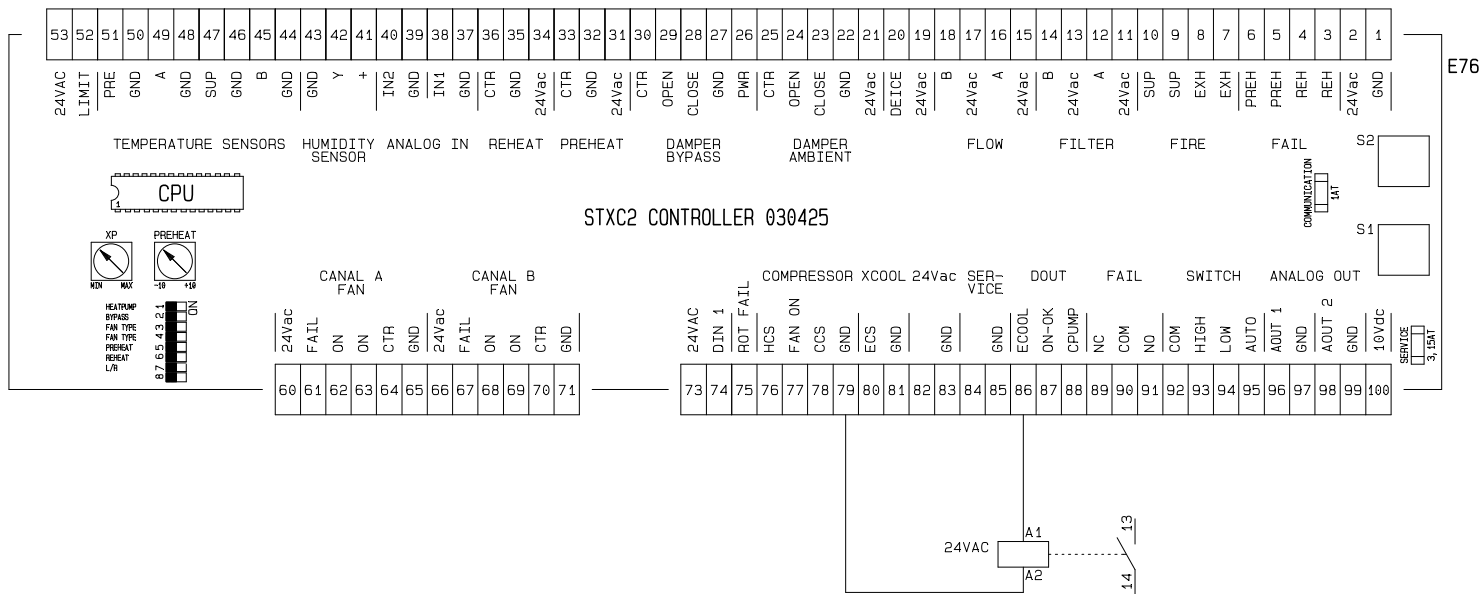
Printed: 02-06-2005

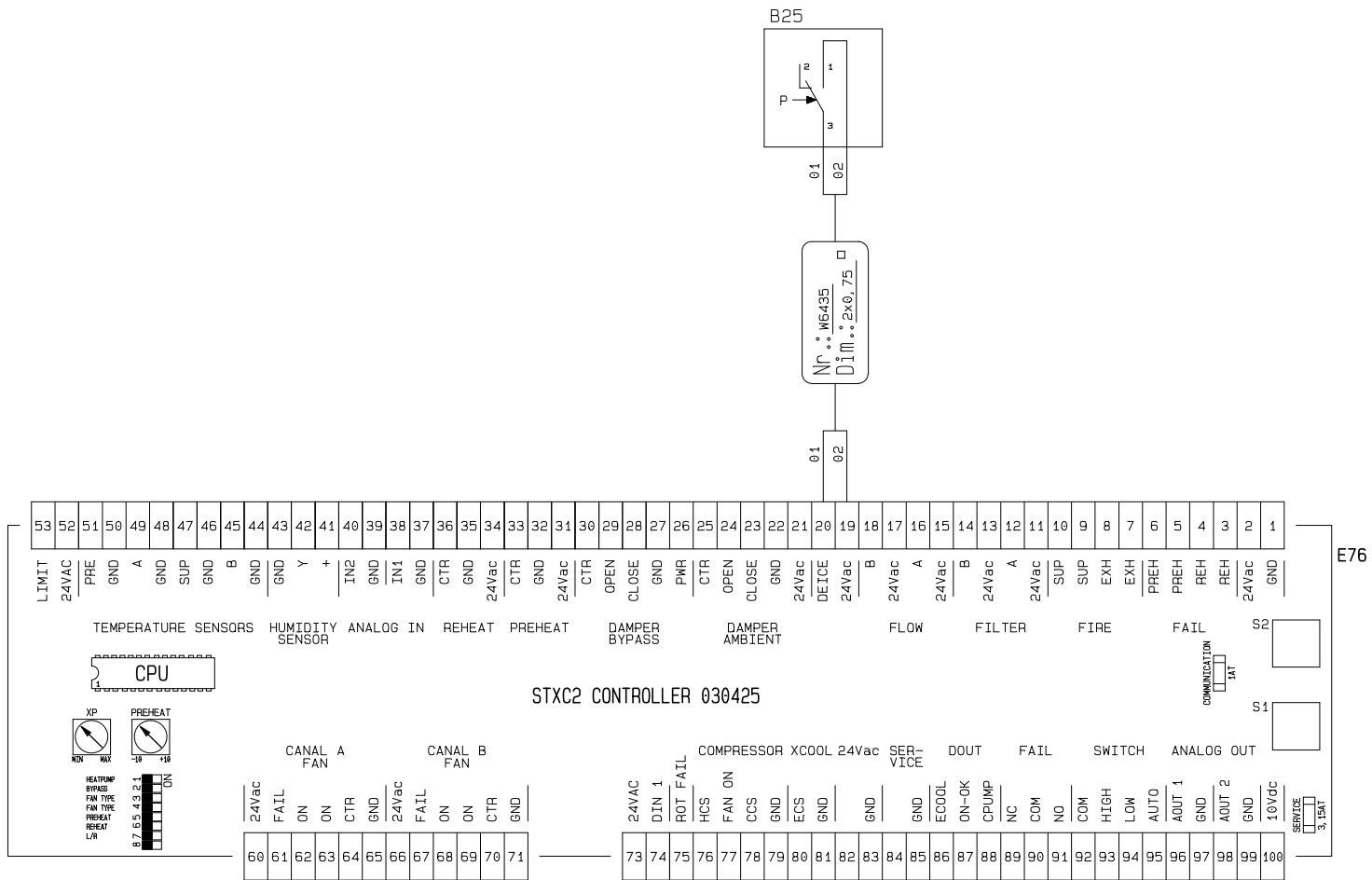
Changed: 02-06-2005

Dantherm no.:

905304

Page: 26 of 35





A/S Dantherm

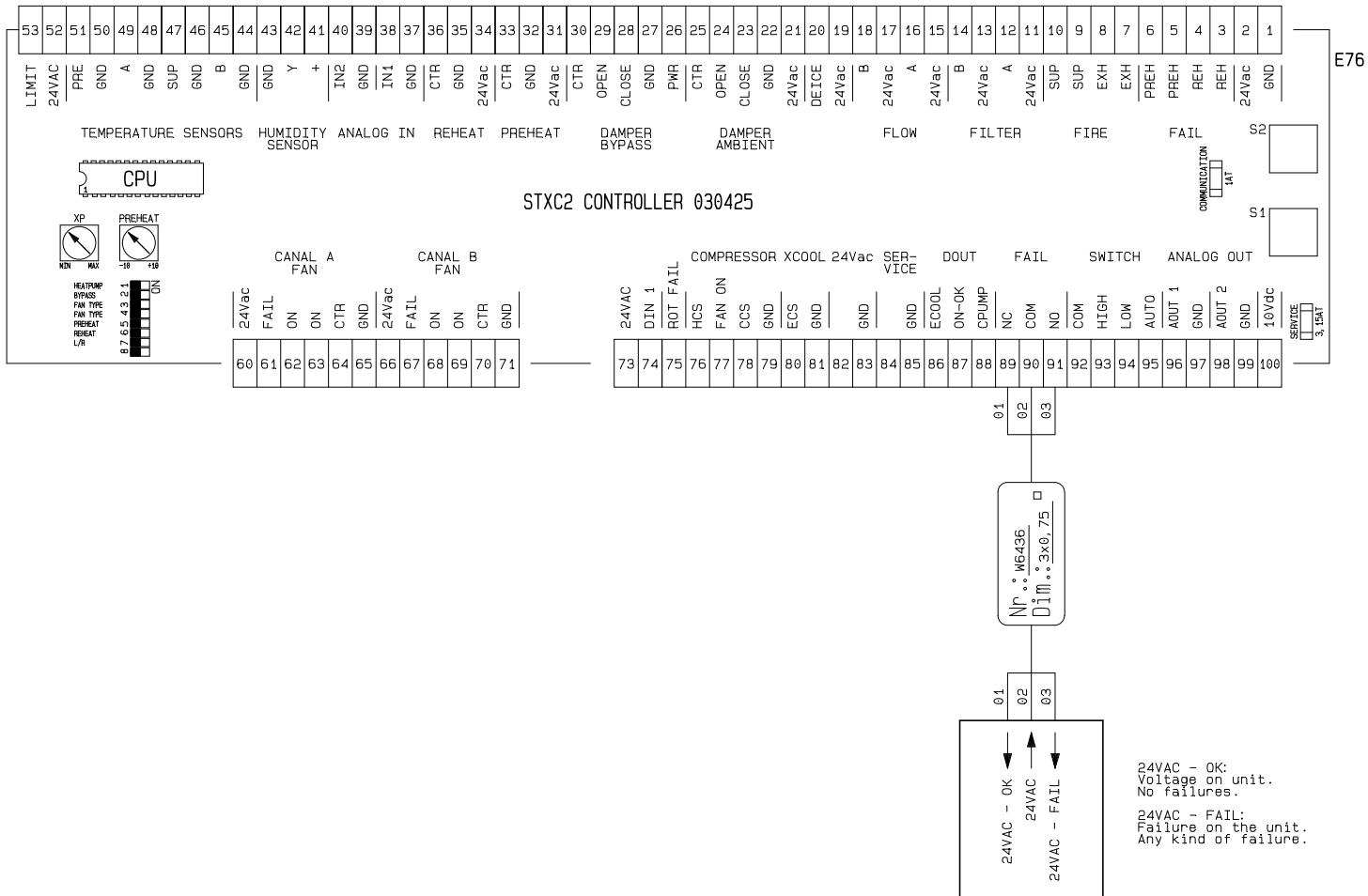
Jægstрупvej 4, DK - 7800 Skive
 Tel. +45 97 52 41 44
 Fax. +45 97 52 61 34

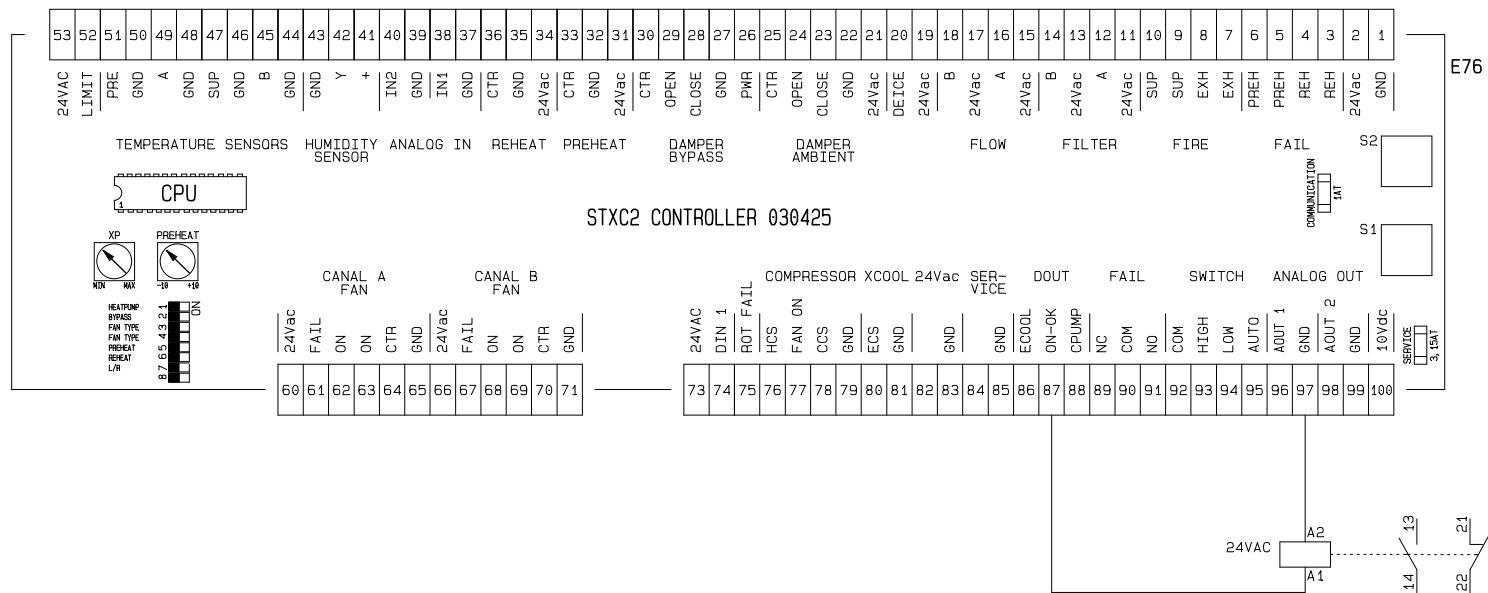
Customer: A/S DANTHERM
 Item: OPTION - RECOUPERATOR DE-ICING
 Project title: VentR 2/4/6
 Designer:

Customer ref.:

Revision:
 Page revision:
 Printed: 02-06-2005
 Changed: 28-08-2008

Dantherm no.:
905304
 Page: 28 of 35





A/S Dantherm
 Jagstrupvej 4, DK - 7800 Skive
 Tel. +45 97 52 41 44
 Fax. +45 97 52 61 34

Customer: A/S DANTHERM
 Item: OPTION - FANS ON SIGNAL
 Project title: VentR 2/4/6
 Designer:

Customer ref.:

Revision:
 Page revision:
 Printed: 02-06-2005
 Changed: 28-08-2008

Dantherm no.:
905304
 Page: 30 of 35

Example on connecting the communication module STIO.

DIGITAL OUTPUTS:

- D01: Unit runs in AUTO (STCU).
- D02: Unit runs in manual mode.
Function switch, STIO or STCU.
- D03: Common non-critical failure (filter dirty).
- D04: Common critical failure (frost, fire,
fan failure or flow failure).
- D05: Heat on (Reheat).
- D06: Heat wheel failure.
- D07: AUX.

ANALOGUE OUTPUTS:

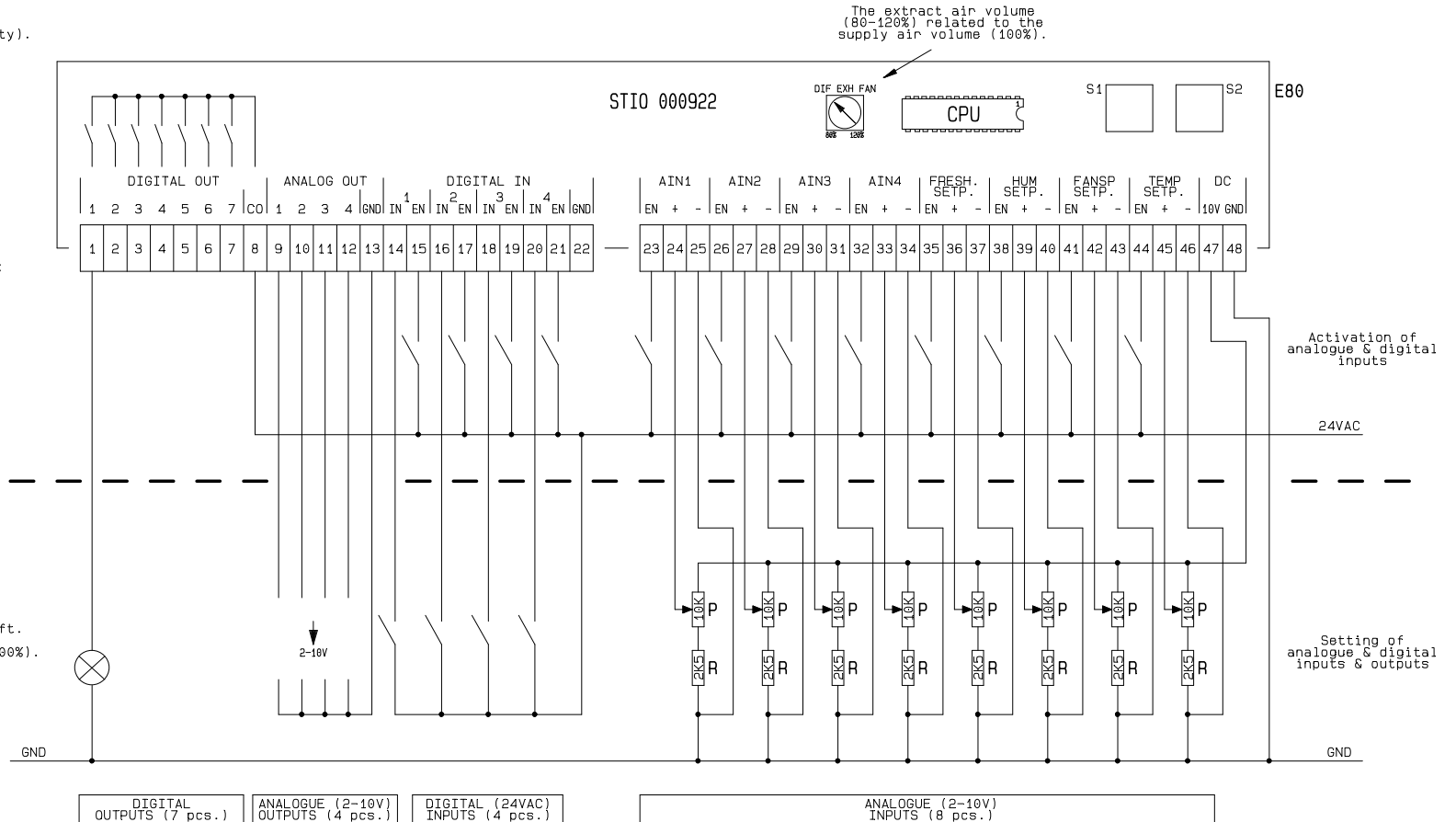
- A01: Return air temperature (2-10V 10-50°C).
- A02: Supply air temperature (2-10V 10-50°C).
- A03: Air volume supply (2-10V 0-2000Pa).
- A04: Analogue input 1 on STXC2 circuit board:
CO₂ pressure in duct or potentiometer
(2-10V 0-100%).

DIGITAL INPUTS:

- DI1: Cooling at summer nights ON.
- DI2: AUX.
- DI3: AUX.
- DI4: Cooling ON.

ANALOGUE INPUTS:

- AI1: AUX1 (2-10V).
- AI2: Minimum supply temperature
(2-10V 15-35°C).
- AI3: External override set point
for fans or set point for
analogue input 1 on STXC2 circuit board
(2-10V 0-100%).
- AI4: Temperature control type (2-10V).
2V = Return air temperature control.
5V = Supply air temperature control.
10V = Automatic temperature control shift.
- AI5: Set point for mixing section (2-10V 0-100%).
- AI6: Humidity set point (2-10V 40-70%RH).
- AI7: Fan set point (2-10V 0-830).
- AI8: Temperature set point (2-10V 10-50°C).



A/S Dantherm

Jægstрупvej 4, DK - 7800 Skive
Tel. +45 97 52 41 44
Fax. +45 97 52 61 34

Customer: A/S DANTHERM
Item: OPTION - COMMUNICATION MODULE STIO
Project title: VentR 2/4/6
Designer:

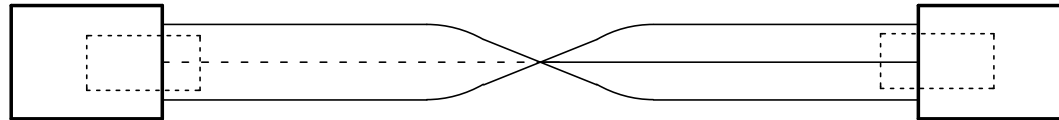
Customer ref.:

Revision:
Page revision:
Printed: 02-06-2005
Changed: 02-06-2005

Dantherm no.:
905304
Page: 31 of 35

Connecting cable between STXC2 & STCU

STXC2 030425
E76

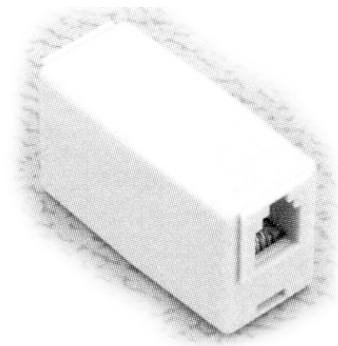


WHITE
black
RED
Green on
YELLOW
blue

blue
YELLOW
Green on
RED
black
WHITE

STCU 000517
E75

DISPLAY/
REMOTE
control



Modular adapter used for lengthening the existing 10m cable between STCU and the control circuit board STXC2 with extra 25m cable (Option).

Components:

AARHUS RADIO LAGER A/S
A.R.L. TRADING A/S

021029
C606 6 ledet tlf. kabel, hvid

008775
TZB 402 6/6 AMK. tlf. stik
S030089 RJ 12

010912
TZB 811 crimplang 6/6 tlf.
S045768

A/S Dantherm

Jegstrupvej 4, DK - 7800 Skive
Tel. +45 97 52 41 44
Fax. +45 97 52 61 34

Customer: A/S DANTHERM
Item: CONNECTING CABLE
Project title: Ventr 2/4/6
Designer:

Customer ref.:

Revision:

Page revision:

Printed: 02-06-2005

Changed: 02-06-2005

Dantherm no.:

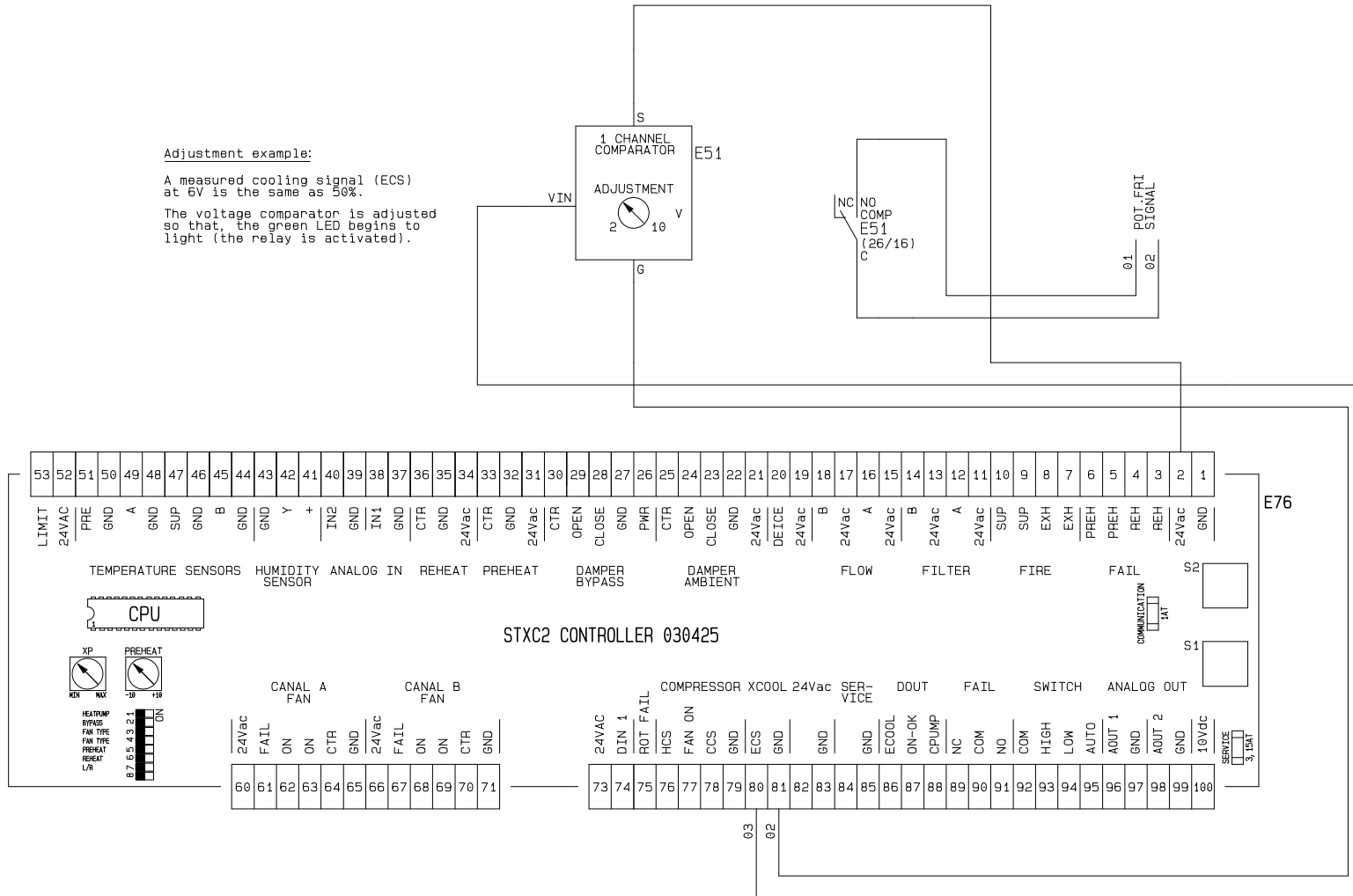
905304

Page: 33 of 35

Adjustment example:

A measured cooling signal (ECS) at 6V is the same as 50%.

The voltage comparator is adjusted so that, the green LED begins to light (the relay is activated).



A/S Dantherm

Jægstрупvej 4, DK - 7800 Skive
Tel. +45 97 52 41 44
Fax. +45 97 52 61 34

Customer: A/S DANTHERM

Item: OPTION : START SIGNAL TO PUMP FOR WATER COOLING COIL

Project title: VentR 2/4/6

Designer:

Customer ref.:

Revision:

Page revision:

Printed: 02-06-2005

Changed: 28-08-2008

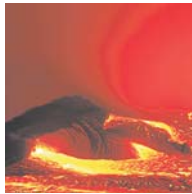
Dantherm no.:

905304

Page: 34 of 35



Comfortable surroundings in any climate



Since 1958 Dantherm Air Handling has developed and produced climate control and air handling solutions that ensure optimum conditions for people and sensitive equipment alike. No climate is too extreme for us to handle – from the bitter cold at the North and South Poles to the searing heat of the Sahara.

Our core business areas are dehumidification, heating, air conditioning, ventilation and electronics cooling. Innovative, durable and cost-efficient products have secured us a position as a leading global manufacturer of stationary and mobile climate control units. And we are forever pursuing new techniques that will improve our solutions and ultimately your projects.

Our Head Office is located in Denmark, and we have companies in Denmark, Norway, Sweden, the United Kingdom, the United States and China, with an extensive European dealer network.

Dantherm Air Handling is part of the Dantherm A/S group.

HEAD OFFICE

Dantherm Air Handling Holding A/S
 Marienlystvej 65
 DK-7800 Skive
 Denmark
 Tel.: +45 9614 3700
 Fax: +45 9614 3800
 E-mail: dantherm.dk@dantherm.com
www.dantherm-air-handling.com



COMPANIES

DENMARK

Dantherm Air Handling A/S
 Marienlystvej 65
 DK-7800 Skive
 Denmark
 Tel.: +45 9614 3700
 Fax: +45 9614 3800
 E-mail: dantherm.dk@dantherm.com
www.dantherm-air-handling.dk

NORWAY

Dantherm Air Handling AS
 Løkkeåsveien 26
 N-3138 Skallestad
 Norway
 Tel: +47 33 35 16 00
 Fax: +47 33 38 51 91
 E-mail: dantherm.no@dantherm.com
www.dantherm-air-handling.no

CHINA

Dantherm Air Handling (Suzhou) Co., Ltd.
 Bldg. # 9, No. 855 Zhu Jiang Rd.
 Suzhou New District, Jiangsu
 215219 Suzhou
 China
 Tel.: +86 512 6667 8500
 Fax.: +86 512 6667 8501
 E-mail: dantherm.cn@dantherm.com
www.dantherm-air-handling.com.cn

UNITED KINGDOM

Dantherm Air Handling Ltd.
 12 Windmill Business Park
 Windmill Road
 Clevedon
 North Somerset BS21 6SR
 United Kingdom
 Tel.: +44 (0) 1275 876851
 Fax: +44 (0) 1275 343086
 E-mail: dantherm.co.uk@dantherm.com
www.dantherm-air-handling.com

USA

Dantherm Air Handling Inc.
 110 Corporate Drive, Suite K
 Spartanburg, SC 29303
 USA
 Tel.: +1 864 595 9800
 Fax: +1 864 595 9810
 E-mail: dantherm.usa@dantherm.com
www.dantherm-air-handling.us

SWEDEN

Dantherm Air Handling AB
 Virkesgatan 5
 SE-614 31 Söderköping
 Sweden
 Tel.: +46 (0) 121-130 40
 Fax: +46 (0) 121-133 70
 E-mail: infose@dantherm.com
www.dantherm-air-handling.se